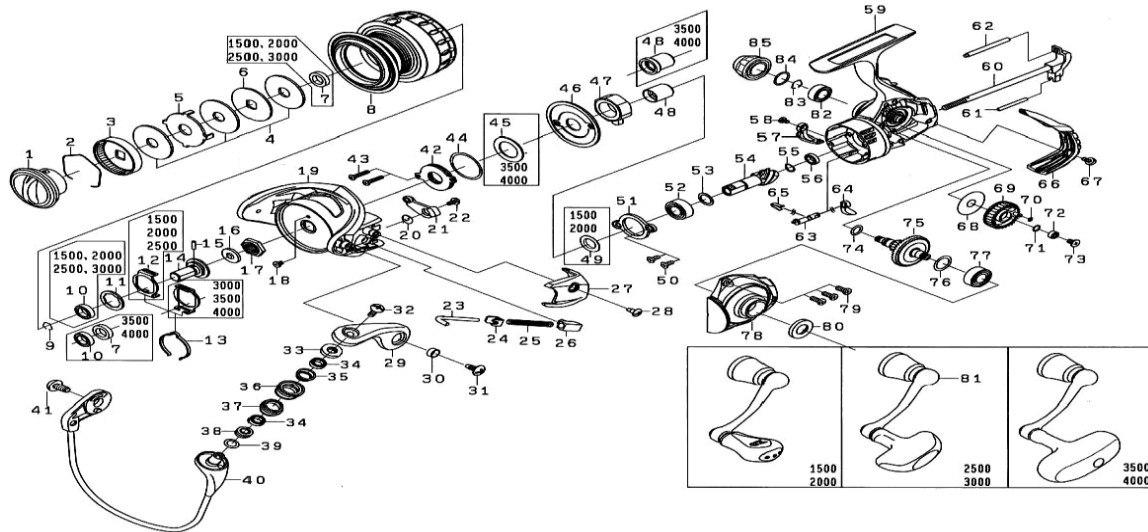


# DAWA SPINNING REEL

# SALTIST 2500-4000

Please order by parts number, not key number  
Veuillez indiquer le numéro de la pièce (Non "Key" No.)



Key No.	Part Name
1	DRAG KNOB
2	DRAG WASHER RET
3	DRAG KNOB CLICK PLT
4	DRAG WASHER
5	EARED WASHER
6	KEY WASHER
7	COLLAR
2-8	SPOOL ASSEMBLY
9	BEARING RET
10	BALL BEARING
11	WASHER
12	CLICK HOLDER
13	CLICK LEAF SPRING
14	SPOOL METAL
15	PIN
16	PACKING
17	ROTOR NUT
18	SCREW
19	ROTOR
20	BAIL TRIP LEVER SPRING
21	BAIL TRIP LEVER
22	SCREW
23	BAIL SPRING SHAFT
24	BAIL SPRING PLT
25	BAIL SPRING
26	BAIL SPRING HOLDER
27	COVER (A)
28	SCREW
29	BAIL ARM
30	COLLAR
31	SCREW
32	SCREW
33	MAGNET COLLAR
34	BALL BEARING
35	COLLAR
36	LINE ROLLER
37	COLLAR
38	MAGNET COLLAR
39	WASHER (0.1MM)
40	BAIL
41	SCREW
42	MAGNET HOLDER
43	SCREW
44	O RING
45	WASHER
46	SEALED CAP
47	ROLLER CLUTCH
48	SPACING SLEEVE
50	SCREW
51	BEARING RET
52	BALL BEARING
53	WASHER
54-75	PINION+DRIVE GEAR UNIT
55	WASHER
56	BALL BEARING
57	BAIL TRIP PLT
58	SCREW
59	BODY
60	MAIN SHAFT
61	STABILIZER BAR
62	STABILIZER BAR
63	A/R CAM
64	A/R LEVER
65	A/R CAM SPRING
66	REAR COVER
67	SCREW
68	WASHER
69	OSC GEAR
70	O RING
71	WASHER
72	BALL BEARING
73	SCREW
74	O RING
76	WASHER
77	BALL BEARING
78	BODY COVER
79	SCREW
80	PACKING
81	HANDLE ASSEMBLY
82	BALL BEARING
83	BEARING RET
84	O RING
85	HANDLE SCREW CAP

### SALTIST2500

Part No.
J29-0601
F71-0001
F89-5301
H80-6503
F63-5201
F63-5101
H62-4801
J41-8801
G47-2401
G81-8902
H80-6301
H41-6001
H88-3701
H71-7701
G37-5001
H98-6901
H96-1101
H02-2701
H96-0034
H41-3601
J03-8501
H41-7701
H41-4101
H57-6101
H54-5701
H41-4301
H96-0201
G27-0801
H96-0117
H96-2401
G20-5001
H69-7701
H74-4001
G68-6903
H74-3901
H74-3801
H74-3701
H74-3401
B41-1703
J21-5101
G20-5001
H53-2602
J00-1601
J21-2501
J10-0301
H41-2601
J00-1402
J00-0901
H44-2201
G46-7305
375-8502
Z02-3102
H93-1701
H95-9602
J00-1101
G94-0402
J41-7201
J14-0701
J08-4801
H61-4301
H59-5501
H59-5401
H69-7801
J35-5702
J00-1801
H59-5701
H59-5801
H77-0601
H12-9201
G46-9007
G94-0402
G67-0501
375-8502
G46-7305
J41-7501
G33-2904
J13-0201
J41-8601
G52-2705
G47-2401
G16-2401
J41-8101

### SALTIST3000

Part No.
J29-0601
F71-0001
F89-5301
H80-6703
F62-7201
F62-7201
H62-4801
J41-9601
G47-2401
G81-8902
H80-6301
H41-6001
H88-3701
H61-5003
G37-5001
H98-6901
H96-1101
H02-2701
H98-6327
H41-3601
J07-2301
H41-7701
H57-2001
H57-6101
J08-9301
J08-9401
H98-6401
G27-0801
H96-0117
H96-2401
G20-5001
H69-7701
H74-4001
G68-6903
H74-3901
H74-3801
H74-3701
H74-3401
B41-1703
J41-9401
G20-5001
H53-2602
J00-1601
J21-2501
J10-0301
H41-2601
J00-1402
J00-0901
H41-1501
G53-5105
375-8502
Z02-3105
H93-1701
G46-6205
J00-1101
G94-0402
J41-9001
J14-0801
J08-4802
H61-4301
H59-5501
H59-5401
H69-7801
J36-3705
J00-1801
H59-5701
H61-3901
G46-6001
H12-9201
G46-9007
G94-0402
G67-0501
373-8502
G46-7305
J41-9301
G33-2904
J13-0201
J41-8601
G52-2705
G47-2401
G16-2401
J41-8101

### SALTIST4000

Part No.
J06-7402
F71-0001
F89-5302
J23-0103
F62-7301
H71-4001
G74-7401
J42-0501
G52-5101
G43-1006
G90-3901
G69-4001
F70-9002
H64-1501
G22-4101
H98-6901
H99-5201
H99-5101
H02-2701
H99-4329
H41-3601
H99-4401
H41-7701
H64-0601
H57-6101
H64-0701
J08-9401
H99-4601
G27-0801
H96-0117
H96-2401
G20-5001
H69-7701
H74-4001
G68-6903
H74-3901
H74-3801
H74-3701
H74-3401
B41-1703
J42-0101
G20-5001
J28-9301
J00-1601
J21-2901
J23-8801
J10-0501
J30-9101
J39-7301
J00-0901
J02-0801
G52-2803
371-2800
Z02-3097
G57-2501
G46-7104
J02-1001
G94-0402
J41-9801
J14-0901
J08-4803
H61-4301
J02-0501
H59-5401
H69-7801
J36-2104
J00-1801
G64-4201
G64-4302
B85-3101
G52-2100
G46-7104
H27-2302
G64-5301
373-7800
G52-3406
J42-0001
G33-2904
J39-7201
J42-0301
G43-1006
G52-5101
G67-2401
J39-7803