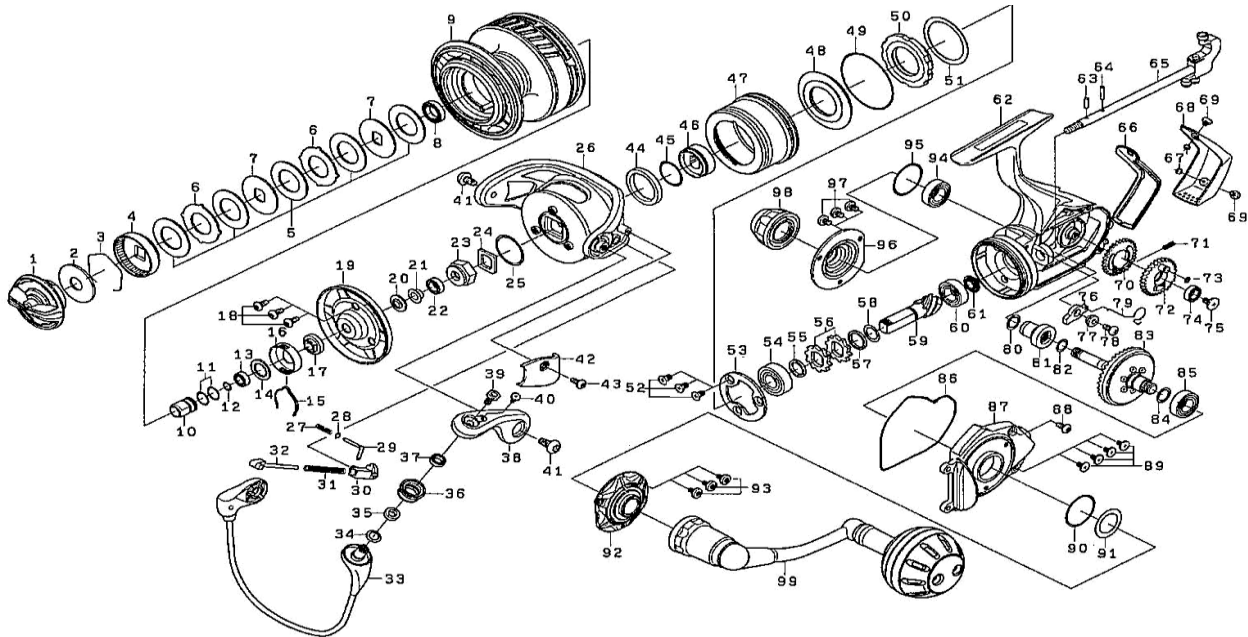




SPINNING REEL

SALTIGA 8000DF/8000HDF

Please order by parts number, not key number
 Veuillez indiquer le numéro de la pièce (Non "Key" No.)



Key No.	Part No.	Part Name
1	J21-6701	DRAG KNOB
2	H61-6701	DRAG WASHER (A)
3	F71-0001	DRAG WASHER RET
4	G16-5603	DRAG KNOB CLICK PLATE
5	H24-7202	DRAG WASHER (B)
6	G16-5902	EARED WASHER
7	G16-2702	KEY WASHER
8	G15-6801	BALL BEARING (A)
2-9	J21-6801	SPOOL ASSEMBLY
10	G33-9202	SPOOL METAL (A)
11	G33-9401	"O"RING (A)
12	G33-9101	"O"RING (B)
13	G31-4901	BALL BEARING (B)
14	G34-1500	WASHER (A)
15	G34-1401	CLICK LEAF SPRING
16	G34-1301	CLICK LEAF SPRING HOLDER
17	G33-9001	SPOOL METAL (B)
18	H50-3901	SCREW (A)
19	H68-5701	COLLAR (A)
20	H68-5601	PACKING (A)
21	H68-5501	COLLAR (B)
22	B86-1702	BALL BEARING (C)
23	H68-5402	ROTOR NUT
24	H68-5301	ROTOR NUT PLT
25	F27-4501	"O"RING (C)
26	H68-4504	ROTOR
27	H78-2801	BAIL SPRING (A)
28	E27-2501	WASHER (B)
29	H68-4601	BAIL SPRING SHAFT (A)
30	H68-4701	BAIL SPRING HOLDER
31	G41-8101	BAIL SPRING (B)
32	G33-7401	BAIL SPRING SHAFT (B)
33	H87-6901	BAIL ASSEMBLY
34	E09-6500	WASHER (C)
35	J04-2801	COLLAR (C)
36	J04-2902	LINE ROLLER
37	J01-9302	BALL BEARING (D)
38	H50-3606	BAIL ARM
39	H50-4703	SCREW (B)
40	H84-2801	SCREW (C)
41	H50-3702	SCREW (D)
42	H68-4801	COVER (A)
43	H50-3902	SCREW (E)
44	H68-7201	WASHER (D)
45	G33-8401	"O"RING (D)
46	H68-8601	CLUTCH RING
47	J21-6201	COVER (B)
48	H53-5301	MAGNET ASSEMBLY
49	H50-2601	"O"RING (E)
50	F76-5401	ROLLOR CLUTCH
51	G15-8101	WASHER (E)
52	F20-6902	SCREW (F)

Key No.	Part No.	Part Name
53	H50-1901	BEARING RETAINER
54	G42-6301	BALL BEARING (E)
55	H68-3501	COLLAR (D)
56	E26-2701	A/R RATCHET
57	372-7603	WASHER (F)
58	372-7600	WASHER (G)
59+83	Z02-2183	PINION/DRIVE GEAR UNIT
60	B86-1703	BALL BEARING (F)
61	H68-3001	COLLAR (E)
62	J23-3501	BODY
63	G33-9301	PIN (A)
64	G33-8901	PIN (B)
65	J18-8901	MAIN SHAFT
66	H68-4301	PACKING (B)
67	G68-4801	WASHER (H)
68	H68-4404	REAR COVER
69	G94-6802	SCREW (G)
70	G33-4901	OSCILLATING GEAR (A)
71	G15-7401	OSCILLATING GEAR SPRING
72	H68-2601	OSCILLATING GEAR (B)
73	G21-3001	"O"RING (F)
74	B86-1702	BALL BEARING (G)
75	H34-7101	SCREW (H)
76	H68-3601	A/R PAWL ASSEMBLY
77	G33-6201	COLLAR (F)
78	351-6413	SCREW (I)
79	G33-6601	SPRING
80	G33-9401	"O"RING (G)
81	G33-4703	IDLE GEAR
82	G33-6701	"O"RING (H)
84	G33-9401	"O"RING (I)
85	J04-8701	BALL BEARING (H)
86	H68-3901	PACKING (C)
87	H68-3811	SIDE COVER
88	G16-0106	SCREW (J)
89	H50-5201	SCREW (K)
90	J04-8601	"O"RING (J)
91	H50-2200	WASHER (I)
92	J04-8802	DRIVE BEARING RETAINER (A)
93	G94-6802	SCREW (L)
94	J04-8701	BALL BEARING (I)
95	J04-8601	"O"RING (K)
96	J04-8802	DRIVE BEARING RETAINER (B)
97	G94-6802	SCREW (M)
98	H68-6303	HANDLE SCREW CAP
99	J21-6301	HANDLE ASSEMBLY

SALTIGA 8000HDF SPECIAL PARTS

Key No.	Part No.	Part Name
2-9	J21-6501	SPOOL ASSEMBLY
59+83	Z02-1716	PINION/DRIVE GEAR UNIT