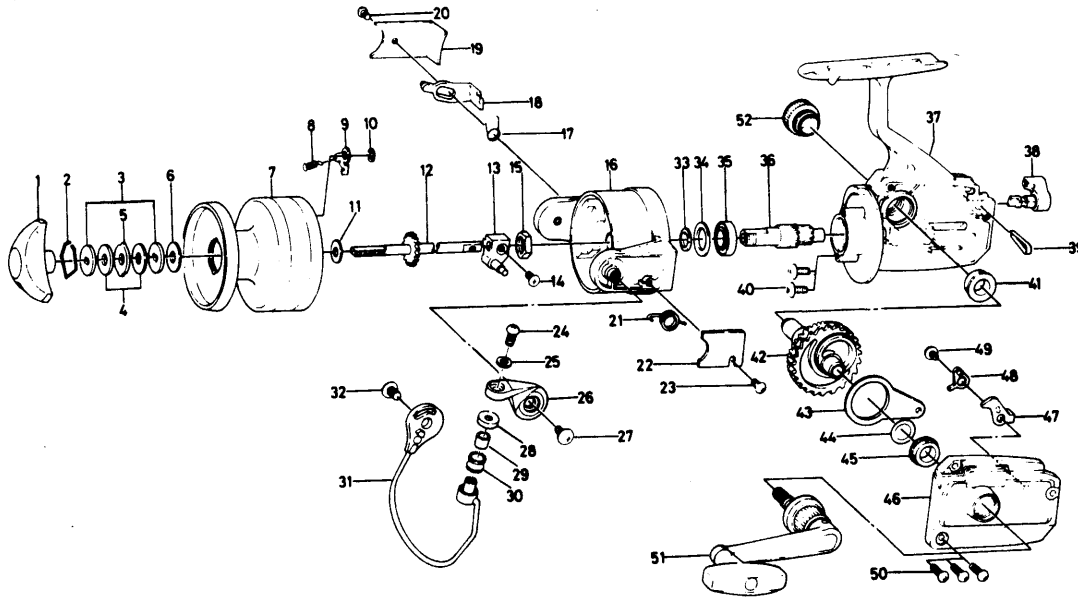


## SPINNING REEL RS 2600



Key No.	Parts No.	Parts Name
1	740-2103	Drag knob
2	170-4001	Drag washer retainer
3	373-2502	Drag D washer
4	374-2901	Disc washer
5	375-5301	Drag A washer
6	370-6901	Drag washer A
7	734-1702	Spool
8	145-2101	Spool click claw spring
9	807-8201	Spool click claw
10	320-1402	Spool click claw retainer
11	374-9001	Spool washer
12	850-9601	Main shaft
13	637-3002	Oscillating support
14	351-8901	Oscillating support screw
15	B10-5701	Rotor nut
16	B19-7102	Rotor
17	B18-4701	Bail kick lever spring
18	B19-7501	Bail kick lever
19	B19-7601	Bail kick lever cover
20	352-0401	Bail kick lever cover screw
21	B19-7201	Bail spring
22	B19-7401	Bail spring cover
23	352-0401	Bail spring cover screw
24	B11-2802	Bail screw
25	B11-2701	Bail washer
26	B19-7301	Arm lever

Sold as one unit  
Spool assembly  
734-1603

Key No.	Parts No.	Parts Name
27	352-1102	Arm lever screw
28	501-2001	Roller collar
29	502-1401	Sleeve
30	250-4501	Line roller
31	B19-7701	Bail
32	352-1102	Bail holder screw
33	850-9301	Spacer
34	B47-9201	Rotor washer
35	B54-6001	Ball bearing
36	850-9201	Pinion gear
37	850-8901	Body
38	B18-4101	Anti-reverse lever
39	B11-4301	Anti-reverse lever spring
40	353-8201	Ball bearing screw
41	807-3301	Bearing
42	850-9401	Drive gear
43	481-2401	Oscillating slider
44	371-2800	Drive gear washer
45	807-3301	Bearing
46	B50-9801	Body cover
47	B51-0101	Anti-reverse claw
48	B50-1201	Anti-reverse claw plate
49	351-8102	Anti-reverse claw screw
50	351-5901	Body cover screw
51	B51-0201	Handle
52	363-4703	Handle screw cap