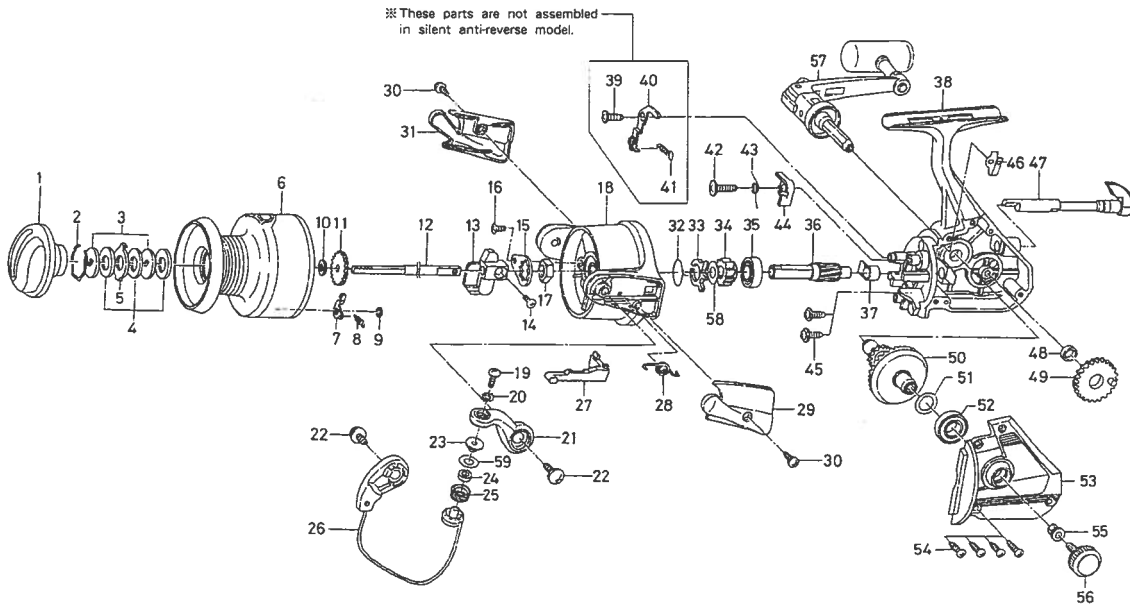


Please order by part number, not key number.

RG-X5500T/X6000T

SPINNING REEL



RG-X5500T

KEY NO.	PART NO.	PART NAME
*	F54-8001	EXTRA SPOOL
2-9	F53-9101	SPOOL
1	F36-9805	DRAG KNOB
2	171-7701	DRAG WASHER RET
3	L03-1301	KEY WASHER
4	373-3712	DRAG WASHER
5	B89-9501	EARED WASHER
7	B07-8201	CLICK PAWL
8	145-2101	CLICK SPRING
9	320-1402	CLICK RET
10	F22-5501	SPOOL WASHER
11	L11-8501	CLICK GEAR
12	F42-9501	MAIN SHAFT
13	F42-9101	OSC SLIDER
14	351-8901	OSC SLIDER SCREW
15	F58-9801	ROTOR NUT HOLD PLT
16	L01-1702	ROTOR NUT HOLD PLT SCREW
17	340-8301	ROTOR NUT
18	F39-3205	ROTOR
19	F60-7301	LINE ROLLER SCREW
21	F36-9005	BAIL ARM
22	E00-7601	BAIL ARM SCREW
23	F44-6302	LINE ROLLER COLLAR
24	F47-3401	LINE ROLLER BUSHING
25	F45-4902	LINE ROLLER
26	F60-6601	BAIL
27	F41-3401	BAIL TRIP LEVER
28	F60-8001	BAIL SPRING
29	F39-3305	BAIL SPRING COVER
30	E24-8101	BAIL SPRING COVER SCREW
31	F39-3405	BAIL TRIP COVER
32	F21-2001	A/R PAWL SPRING A
33	F07-0701	A/R PAWL SPRING B
34	F39-4201	A/R RATCHET
35	L03-6401	BALL BEARING A
36	L11-4401	PINION GEAR

RG-X5500T

KEY NO.	PART NO.	PART NAME
37	L00-6001	PINION COLLAR
38	E53-8501	BODY
42	L06-6501	A/R PAWL SCREW
43	L06-6401	A/R PAWL SPRING C
44	L07-8601	A/R PAWL
45	L01-1601	BEARING RET SCREW
46	E01-1801	A/R CAM SPRING
47	L10-0713	A/R LEVER
48	B47-4101	OSC GEAR COLLAR
49	L11-4701	OSC GEAR
50	L07-1701	DRIVE GEAR
51	371-2824	DRIVE GEAR WASHER
52	B54-6001	BALL BEARING B
53	E53-8401	SIDE COVER
54	B83-5002	SIDE COVER SCREW
55	F40-9001	HANDLE COLLAR
56	L00-9104	HANDLE LOCK SCREW
57	F41-4601	HANDLE
58	F43-1001	RATCHET WASHER
59	F44-6202	LINE ROLLER WASHER

RG-X6000T SPECIAL PARTS

KEY NO.	PART NO.	PART NAME
*	F54-8201	EXTRA SPOOL
2-9	F53-9301	SPOOL
18	F39-4805	ROTOR
26	F60-6801	BAIL
27	F39-3501	BAIL TRIP LEVER
38	E53-8302	BODY
53	E53-8402	SIDE COVER