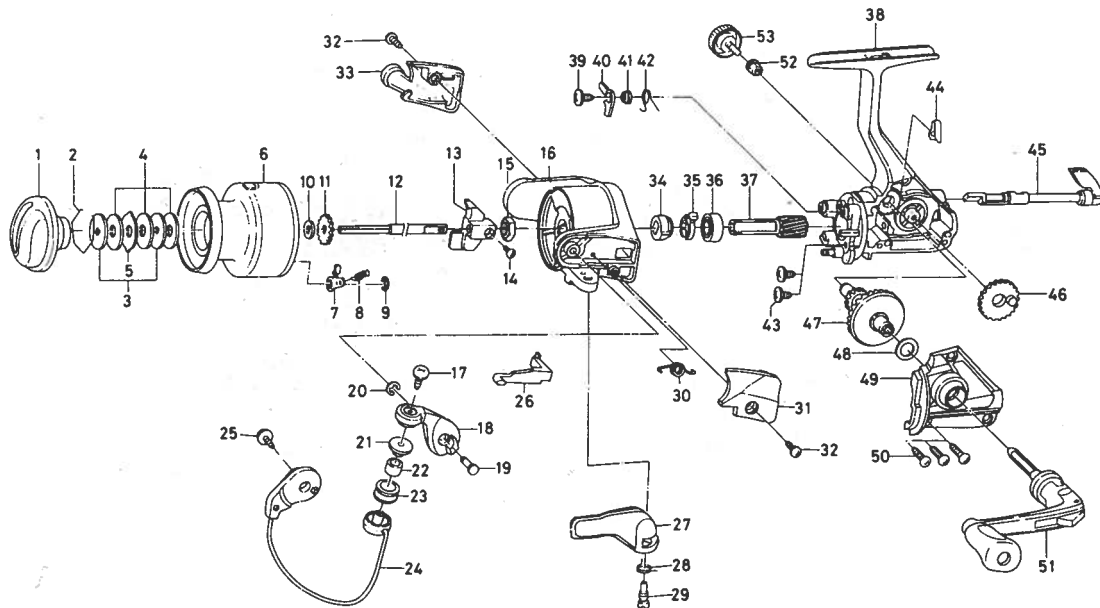


SPINING REEL REGAL-S2505B



Key No.	Parts No.	Parts Name
2-9	F32-0501	Spool assembly
1	F32-2101	Drag knob
2	171-7701	Drag washer retainer
3	E46-7201	Key washer
4	E13-6003	Drag washer
5	373-3603	Eared washer
6	F32-0601	Spool assembly
7	B07-5304	Click pawl
8	E40-3101	Click spring
9	320-5901	Click retainer
10	E46-7101	Spool washer
11	270-6501	Click gear
12	E48-4301	Main shaft
13	E45-1401	Oscillating slider
14	351-0315	Oscillating slider screw
15	341-9201	Rotor nut
16	F32-1001	Rotor
17	B67-9304	Line roller screw
18	F17-9802	Bail arm
19	E49-3501	Bail arm screw
20	320-5901	Bail arm screw retainer
21	F06-6301	Line roller collar
22	E50-5901	Line roller bushing
23	E50-6001	Line roller
24	F32-1101	Bail assembly
25	B84-2102	Bail trip cam screw
26	E45-1601	Bail trip lever
27	F18-0002	Trigger lever
28	E36-9901	Trigger spring

Key No.	Parts No.	Parts Name
29	E37-0002	Trigger screw
30	F12-8901	Bail spring
31	F31-0501	Bail spring cover
32	E24-8101	Bail spring cover screw
33	F31-0601	Bail trip cover
34	E49-2401	Anti-reverse ratchet
35	E38-5501	Anti-reverse pawl spring A
36	L03-6601	Ball bearing
37	E51-9801	Pinion gear
38	F32-0202	Body assembly
39	L00-1801	Anti-reverse pawl screw
40	L01-4401	Anti-reverse pawl
41	L01-4302	Anti-reverse pawl collar
42	L00-1501	Anti-reverse pawl spring B
43	E03-7801	Bearing retainer screw
44	E32-7801	Anti-reverse cam spring
45	F08-5120	Anti-reverse lever
46	E45-1301	Oscillating gear
47	F17-0001	Drive gear
48	373-7802	Drive gear washer
49	F32-0302	Side cover
50	B83-5002	Side cover screw
51	F31-9902	Handle assembly
52	501-8501	Handle collar
53	B92-5001	Handle lock screw