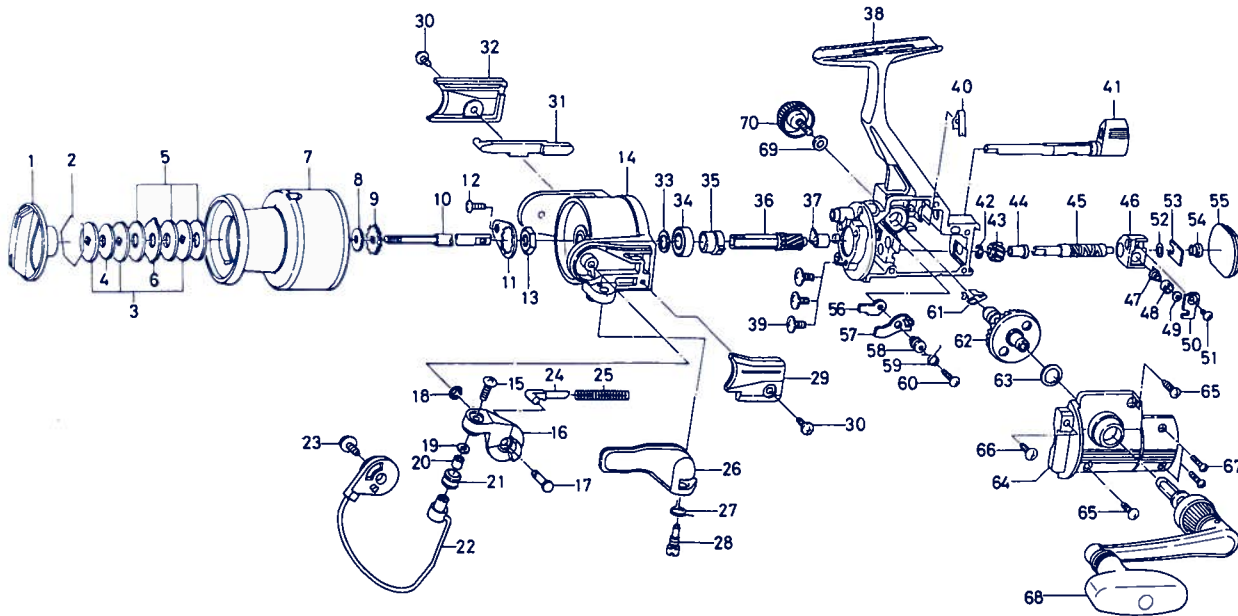


# SPINNING REEL — PS1605 / 2005



**Key No. 2-7**

Key No.	Part No.	Part Name
	E41-8901	Spool assembly
1	E41-9401	Drag knob
2	171-7701	Drag washer retainer
3	F01-2002	Key washer
4	F05-0901	Drag spring washer
5	E13-6003	Drag washer
6	373-3601	Eared washer
7	E41-9001	Spool assembly
8	E39-7901	Spool washer
9	E41-3101	Click gear
10	E37-7001	Main shaft
11	B66-2601	Rotor nut holding plate
12	B93-3001	Rotor nut holding plate screw
13	B10-5701	Rotor nut
14	F01-1503	Rotor
15	B67-9304	Line roller screw
16	E36-9501	Bail arm
17	E36-9601	Bail arm screw
18	320-5901	Bail arm screw retainer
19	B55-4301	Line roller washer
20	B45-1501	Line roller collar
21	250-3921	Line roller
22	E38-6501	Bail
23	E00-7101	Bail trip cam screw
24	E36-4401	Bail spring shaft
25	E39-0601	Bail spring
26	E36-9801	Trigger lever
27	E36-9901	Trigger spring
28	E41-7801	Trigger screw
29	F01-1703	Bail spring cover
30	E36-4201	Bail spring cover screw
31	F01-1602	Bail trip lever
32	E37-8203	Bail trip cover
33	371-2827	Bearing washer
34	B54-6001	Ball bearing
35	E40-1001	Anti-reverse ratchet
36	E41-8501	Pinion gear
37	B88-0001	Pinion collar
38	E41-8401	Body
39	E03-7801	Bearing retainer screw

**Key No.**

Key No.	Part No.	Part Name
40	E26-8701	Anti-reverse cam spring
41	E37-6002	Anti-reverse lever
42	320-5901	Worm shaft gear retainer
43	E42-0501	Worm shaft gear
44	E45-1101	Worm shaft bush
45	E37-6401	Worm shaft
46	E37-6301	Oscillating slider
47	E19-1202	Oscillating pawl
48	E19-1301	Oscillating pawl bush
49	375-0800	Oscillating pawl washer
50	E37-6901	Oscillating slider cover
51	E40-1501	Oscillating slider cover screw
52	375-4101	Worm shaft washer
53	E36-3801	Worm shaft retainer
54	E39-3601	Worm shaft collar
55	F01-9509	Rear cover
56	B96-5301	Anti-reverse pawl plate
57	E27-7002	Anti-reverse pawl
58	B96-5501	Anti-reverse pawl collar
59	B96-5601	Anti-reverse pawl spring A
60	B00-9701	Anti-reverse pawl screw
61	E37-7201	Anti-reverse pawl spring B
62	E41-8601	Drive gear
63	373-7802	Drive gear washer
64	E38-6002	Side cover
65	E15-8601	Side cover screw A
66	E15-8602	Side cover screw B
67	E11-9601	Side cover screw C
68	E41-8701	Handle assembly
69	F02-0201	Handle lock washer
70	F03-5601	Handle lock screw

**PS2005 Special Parts:**

2-7	E41-9601	Spool assembly	1
7	E41-9701	Spool assembly	
9	F05-1201	Click gear	
14	F01-1903	Rotor	
22	E38-6701	Bail	
55	F01-9512	Rear cover	