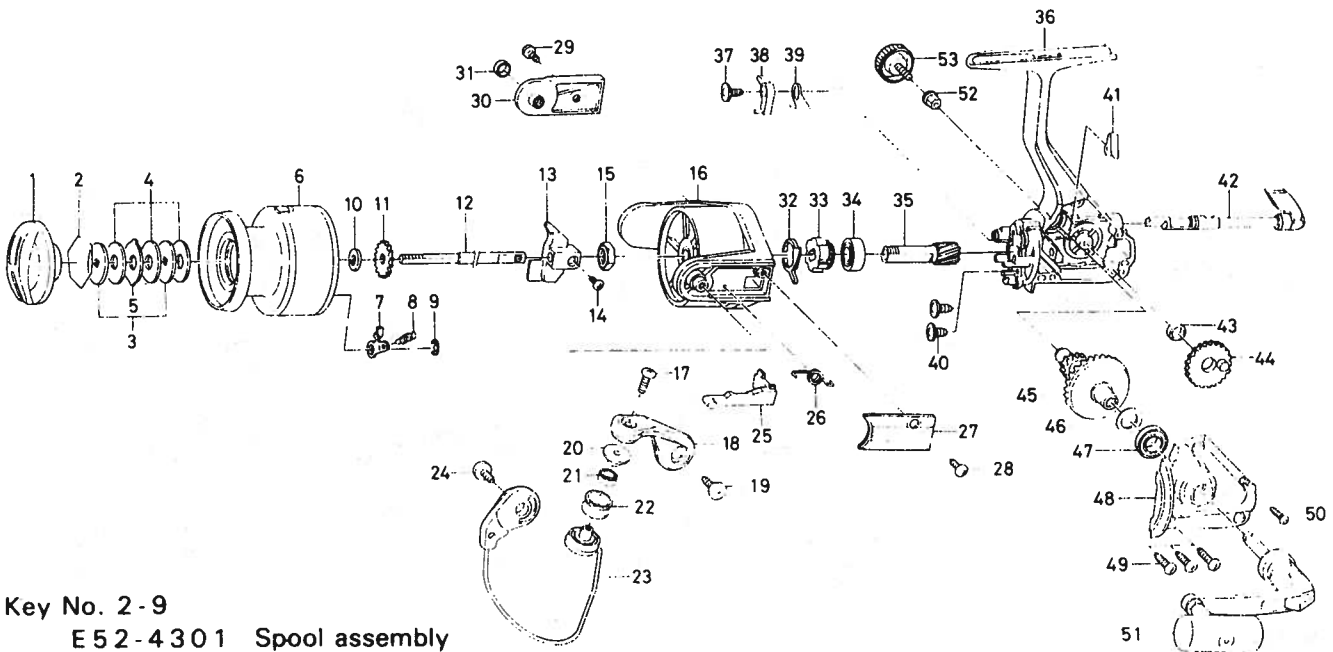


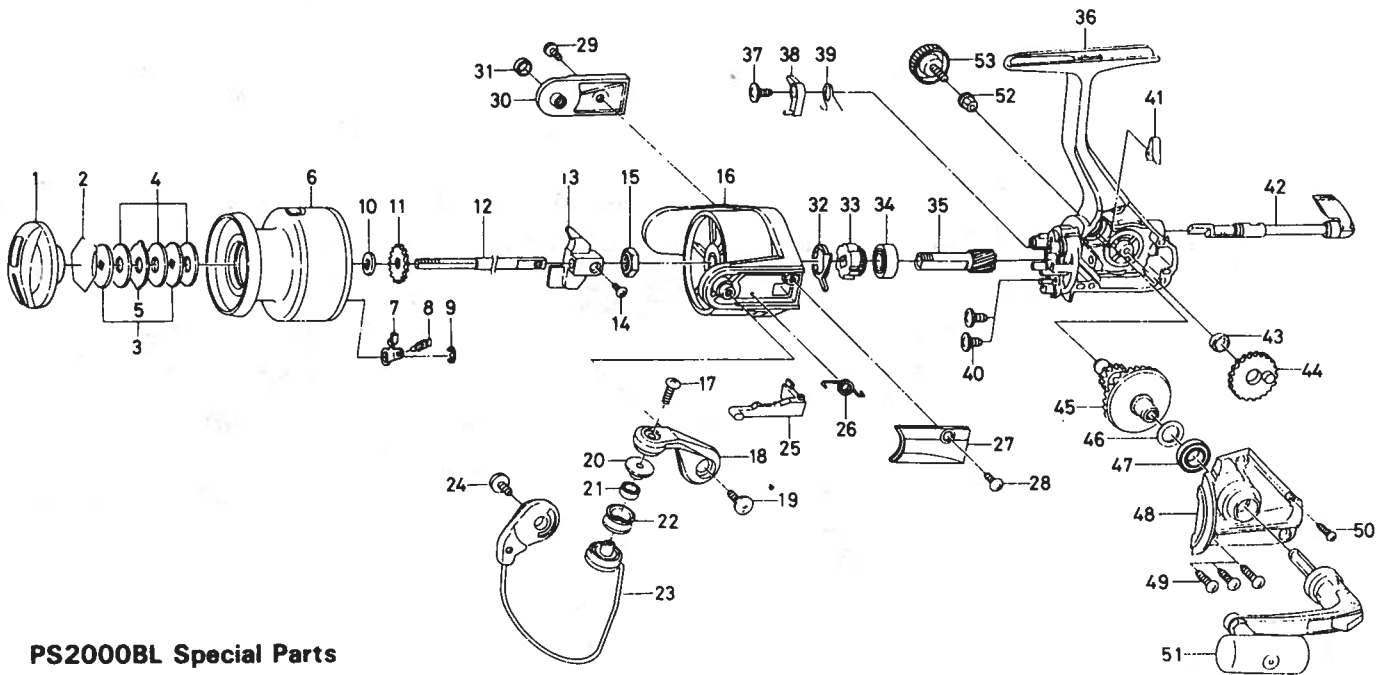
SPINNING REEL — PS1600BL/2000BL



Key No. 2-9
E52-4301 Spool assembly

Key No.	Parts No.	Parts Name	Key No.	Parts No.	Parts Name
1	F19-8801	Drag knob	28	E36-4201	Bail spring cover screw
2	171-7701	Drag washer retainer	29	L01-1701	Bail trip cover screw
3	F09-4901	Key washer	30	F19-4001	Bail trip cover
4	E13-6003	Drag washer	31	F17-3001	Bail trip collar
5	373-3603	Eared washer	32	E46-2001	Anti-reverse pawl spring A
6	E52-4401	Spool assembly	33	E46-1901	Anti-reverse ratchet
7	B07-5304	Click pawl	34	L03-6502	Ball bearing B
8	E40-3101	Click spring	35	E52-0101	Pinion gear
9	320-5901	Click retainer	36	F19-3801	Body assembly
10	F09-4701	Spool washer	37	E00-7101	Anti-reverse pawl screw
11	E46-2701	Click gear	38	E46-1302	Anti-reverse pawl
12	E48-5301	Main shaft	39	E46-1201	Anti-reverse pawl spring B
13	F09-1301	Oscillating slider	40	E03-7801	Bearing retainer screw
14	352-1502	Oscillating block screw	41	E32-7801	Anti-reverse cam spring
15	340-6602	Rotor nut	42	F08-5119	Anti-reverse lever
16	F10-6604	Rotor	43	F13-1601	Oscillating gear collar
17	B67-9305	Line roller screw	44	E46-1501	Oscillating gear
18	E50-4802	Bail arm	45	E52-0201	Drive gear
19	E00-7102	Bail arm screw	46	373-7800	Drive gear washer
20	F06-6301	Line roller collar	47	631-6901	Ball bearing C
21	F05-5601	Ball bearing A	48	E50-5605	Side cover
22	F05-8901	Line roller	49	B83-5001	Side cover screw A
23	F19-4101	Bail assembly	50	E15-8601	Side cover screw B
24	B51-5302	Bail trip cam screw	51	L05-0102	Handle assembly
25	E46-2101	Bail trip lever	52	E12-7501	Handle collar
26	F12-8901	Bail spring	53	B92-5002	Handle lock screw
27	E46-2201	Bail spring cover			

SPINNING REEL — PS1600BL/2000BL



PS2000BL Special Parts

Key No.	Parts No.	Parts Name
2-9	E 52-4501	Spool assembly
6	E 52-4601	Spool assembly
16	F 10-7205	Rotor
23	F 19-4501	Bail assembly
25	E 46-3101	Bail trip lever
36	F 19-3803	Body assembly
48	E 50-5704	Side cover