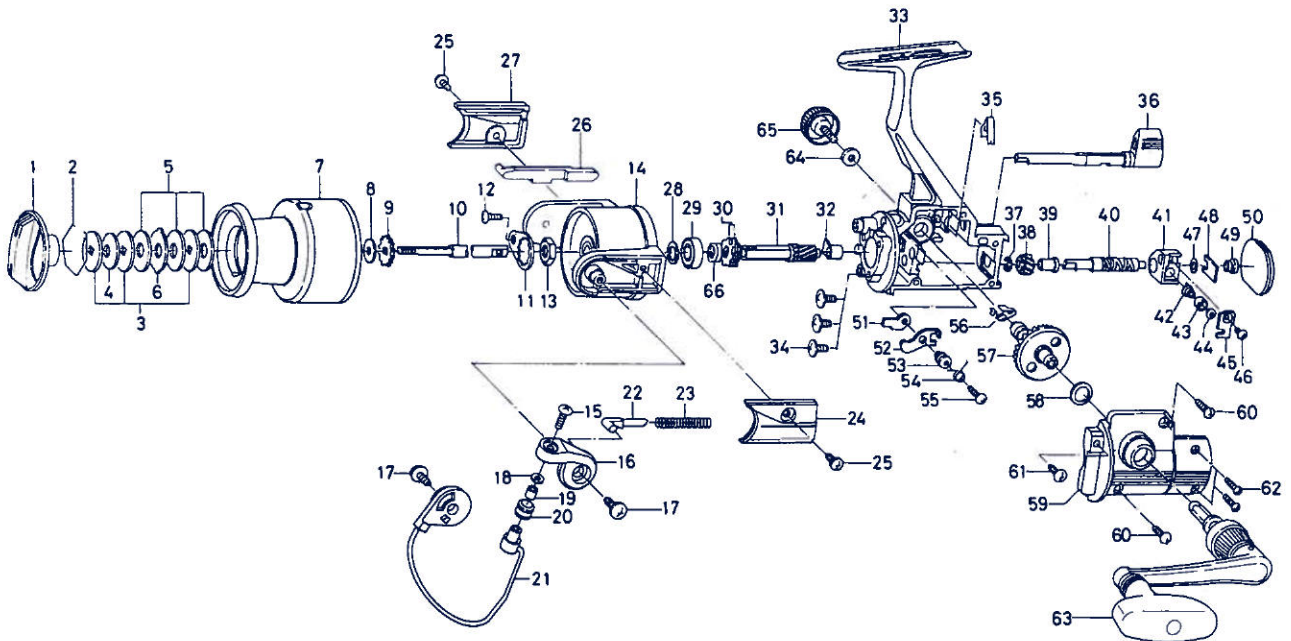


SPINNING REEL — PS1600 / 2000



Key No. 2-7

E41-8901 Spool assembly

Key

Key No.	Part No.	Part Name
1	E41-9401	Drag knob
2	171-7701	Drag washer retainer
3	F01-2002	Key washer
4	F05-0901	Drag spring washer
5	E13-6003	Drag washer
6	373-3601	Eared washer
7	E41-9001	Spool assembly
8	E39-7901	Spool washer
9	E41-3101	Click gear
10	E37-7001	Main shaft
11	B66-2601	Rotor nut holding plate
12	B93-3001	Rotor nut holding plate screw
13	B10-5701	Rotor nut
14	F01-1103	Rotor
15	B67-9304	Line roller screw
16	F00-8501	Bail arm
17	E00-7101	Bail arm screw
18	B55-4301	Line roller washer
19	B45-1501	Line roller collar
20	250-3921	Line roller
21	E38-6201	Bail
22	E36-4401	Bail spring shaft
23	E39-0601	Bail spring
24	E37-7903	Bail spring cover
25	E36-4201	Bail spring cover screw
26	F01-1602	Bail trip lever
27	E37-8203	Bail trip cover
28	371-2827	Bearing washer
29	B54-6001	Ball bearing
30	E37-6701	Anti-reverse ratchet
31	E41-8501	Pinion gear
32	B88-0001	Pinion collar
33	E41-8401	Body
34	E03-7801	Bearing retainer screw
35	E26-8701	Anti-reverse cam spring
36	E37-6002	Anti-reverse lever
37	320-5901	Worm shaft gear retainer

Key

Key No.	Part No.	Part Name
38	E42-0501	Worm shaft gear
39	E45-1101	Worm shaft bush
40	E37-6401	Worm shaft
41	E37-6301	Oscillating slider
42	E19-1202	Oscillating pawl
43	E19-1301	Oscillating pawl bush
44	375-0800	Oscillating pawl washer
45	E37-6901	Oscillating slider cover
46	E40-1501	Oscillating slider cover screw
47	375-4101	Worm shaft washer
48	E36-3801	Worm shaft retainer
49	E39-3601	Worm shaft collar
50	F01-9508	Rear cover
51	B96-5301	Anti-reverse pawl plate
52	E27-7002	Anti-reverse pawl
53	B96-5501	Anti-reverse pawl collar
54	B96-5601	Anti-reverse pawl spring A
55	B00-9701	Anti-reverse pawl screw
56	E37-7201	Anti-reverse pawl spring B
57	E41-8601	Drive gear
58	373-7802	Drive gear washer
59	E38-6002	Side cover
60	E15-8601	Side cover screw A
61	E15-8602	Side cover screw B
62	E11-9601	Side cover screw C
63	E41-8701	Handle assembly
64	F02-0201	Handle lock washer
65	F03-5601	Handle lock screw
66	F01-1401	Spacing sleeve

PS2000 Special Parts:

2-7	E41-9601	Spool assembly
7	E41-9701	Spool assembly
9	F05-1201	Click gear
14	F01-1803	Rotor
21	E38-6601	Bail
50	F01-9511	Rear cover