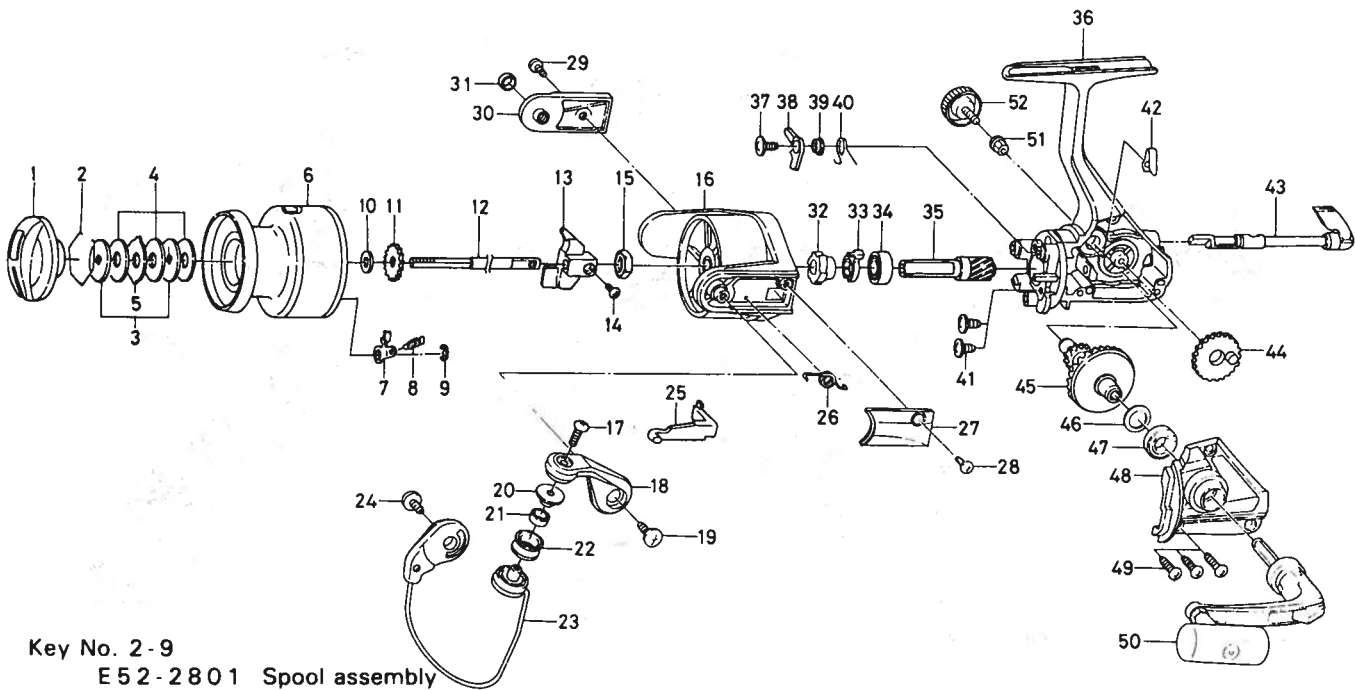


SPINNING REEL — PS1300BL



| Key No. | Parts No. | Parts Name |
|---------|-----------|-------------------------|
| 1 | F19-8601 | Drag knob |
| 2 | 171-7701 | Drag washer retainer |
| 3 | E46-7201 | Key washer |
| 4 | E13-6003 | Drag washer |
| 5 | 373-3603 | Eared washer |
| 6 | E52-2901 | Spool assembly |
| 7 | B07-5304 | Click pawl |
| 8 | E40-3101 | Click spring |
| 9 | 320-5901 | Click retainer |
| 10 | E46-7101 | Spool washer |
| 11 | 270-6501 | Click gear |
| 12 | E48-4301 | Main shaft |
| 13 | E45-1401 | Oscillating slider |
| 14 | 351-0315 | Oscillating block screw |
| 15 | 341-9201 | Rotor nut |
| 16 | F10-4204 | Rotor |
| 17 | B67-9305 | Line roller screw |
| 18 | E50-4801 | Bail arm |
| 19 | E00-7102 | Bail arm screw |
| 20 | F06-6301 | Line roller collar |
| 21 | F05-5601 | Ball bearing A |
| 22 | F05-8901 | Line roller |
| 23 | F19-3501 | Bail assembly |
| 24 | B51-5302 | Bail trip cam screw |
| 25 | E45-1601 | Bail trip lever |
| 26 | F12-8901 | Bail spring |

| Key No. | Parts No. | Parts Name |
|---------|-----------|----------------------------|
| 27 | F08-8401 | Bail spring cover |
| 28 | E36-4201 | Bail spring cover screw |
| 29 | L01-1701 | Bail trip cover screw |
| 30 | F17-9901 | Bail trip cover |
| 31 | F17-3001 | Bail trip collar |
| 32 | L01-4001 | Anti-reverse ratchet |
| 33 | E38-5501 | Anti-reverse pawl spring A |
| 34 | L03-6601 | Ball bearing B |
| 35 | E51-9801 | Pinion gear |
| 36 | F17-9602 | Body assembly |
| 37 | L00-1801 | Anti-reverse pawl screw |
| 38 | L01-4401 | Anti-reverse pawl |
| 39 | L01-4302 | Anti-reverse pawl collar |
| 40 | L00-1501 | Anti-reverse pawl spring B |
| 41 | E03-7801 | Bearing retainer screw |
| 42 | E32-7801 | Anti-reverse cam spring |
| 43 | F08-5118 | Anti-reverse lever |
| 44 | E45-1301 | Oscillating gear |
| 45 | F17-0001 | Drive gear |
| 46 | 373-7800 | Drive gear washer |
| 47 | 631-6901 | Ball bearing C |
| 48 | E50-5506 | Side cover |
| 49 | B83-5001 | Side cover screw |
| 50 | L05-2202 | Handle assembly |
| 51 | 501-8501 | Handle collar |
| 52 | B92-5002 | Handle lock screw |