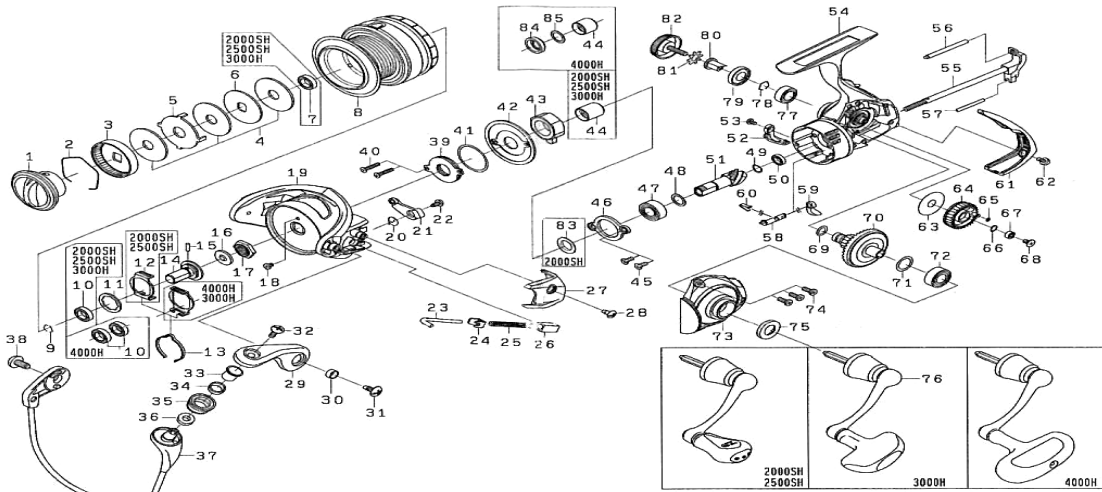




# SPINNING REEL PROCYON EX2000SH-2500SH/3000H-4000H

Please order by parts number, not key number  
 Veuillez indiquer le numéro de la pièce (Non "Key" No.)



Key No.	PREX2000SH	Part Name	PREX2500SH	PREX3000H	PREX4000H
1	J10-8001	DRAG KNOB	J10-8101	J10-8101	J10-8201
2	F74-2501	DRAG WASHER RETAINER	F71-0001	F71-0001	F71-0001
3	F90-8701	DRAG KNOB CLICK PLATE	F89-5301	F89-5301	F89-5302
4	F63-5001	DRAG WASHER	F69-1001	F69-1001	F62-7101
5	F63-5201	EARED WASHER	F62-7301	F62-7301	F62-7301
6	H62-7701	KEY WASHER	F62-7201	F62-7201	F62-7201
7	E30-6801	BALL BEARING (A)	E30-6801	E30-6801	H71-4001
2-8	J10-4601	SPOOL ASSEMBLY	J10-5201	J20-7001	J10-6201
9	G47-2401	BEARING RETAINER (A)	G47-2401	G47-2401	G52-5101
10	E30-6801	BALL BEARING (B)	E30-6801	E30-6801	B86-1704
11	H80-6300	WASHER (A)	H80-6300	H80-6300	G90-3900
12	H41-6001	CLICK LEAF SPRING HOLDER	H41-6001	H41-6001	G59-4001
13	H88-3701	SPOOL CLICK LEAF SPRING	H88-3701	H88-3701	F70-9002
14	H71-7701	SPOOL METAL	H71-7701	H61-5001	H64-1501
15	G37-5001	PIN	G37-5001	G37-5001	G22-4101
16	H98-6901	PACKING (A)	H98-6901	H98-6901	H99-5201
17	H96-1101	ROTOR NUT	H96-1101	H96-1101	H99-5101
18	H02-2701	SCREW (A)	H02-2701	H02-2701	H02-2701
19	H97-4306	ROTOR	H96-0007	H96-0007	H99-4305
20	H44-3301	BAIL TRIP LEVER SPRING	H41-3601	H41-3601	H41-3601
21	H44-3401	BAIL TRIP LEVER	J03-8501	J07-2301	H99-4401
22	H41-7701	SCREW (B)	H41-7701	H41-7701	H41-7701
23	H44-3601	BAIL SPRING SHAFT	H41-4101	H57-2001	H64-0601
24	H57-6101	BAIL SPRING PLATE	H57-6101	H57-6101	H57-6101
25	H44-2401	BAIL SPRING	H54-6701	J08-9301	H64-0701
26	H41-4301	BAIL SPRING HOLDER	H41-4301	J08-9401	J08-9401
27	H97-4401	COVER (A)	H96-0201	H98-6401	H99-4601
28	G27-0801	SCREW (C)	G27-0801	G27-0801	G27-0801
29	H72-8911	BAIL ARM	H72-8911	H72-8911	H72-8911
30	H98-2401	COLLAR (A)	H98-2401	H98-2401	H98-2401
31	G20-5001	SCREW (D)	G20-5001	G20-5001	G20-5001
32	G19-5602	SCREW (E)	G19-5602	G19-5602	G19-5602
33	G19-5501	COLLAR (B)	G19-5501	G19-5501	G19-5501
34	G22-0701	COLLAR (C)	G22-0701	G22-0701	G22-0701
35	J08-9901	LINE ROLLER	J08-9901	J08-9901	J08-9901
36	G87-4201	COLLAR (D)	G87-4201	G87-4201	G87-4201
37	H98-3201	BAIL ASSEMBLY	H99-3601	H99-3601	H99-3601
38	G20-5001	SCREW (F)	G20-5001	G20-5001	G20-5001
39	H53-2602	MAGNET ASSEMBLY	H53-2602	H53-2602	H73-0701
40	J00-1601	SCREW (G)	J00-1601	J00-1601	J00-1601
41	J21-2501	"O" RING (A)	J21-2501	J21-2501	J21-2901
42	J10-0301	COVER (B)	J10-0301	J10-0301	J10-0501
43	H41-2601	ROLLER CLUTCH	H41-2601	H41-2601	J01-5701
44	J00-1402	SPACING SLEEVE	J00-1402	J00-1402	J21-2601
45	J00-0901	SCREW (H)	J00-0901	J00-0901	J00-0901
46	H44-2201	BEARING RETAINER (B)	H44-2201	H41-1501	J02-0801
47	G46-7302	BALL BEARING (C)	G46-7302	G53-5104	G52-2802
48	375-8500	WASHER (B)	375-8500	375-8500	371-2800
49	H93-1701	SPRING WASHER	H93-1701	H93-1701	G57-2501
50	H95-9601	BALL BEARING (D)	H95-9601	G46-6202	G46-7105
51+70	Z02-1953	PINION GEAR + DRIVE GEAR UNIT	Z02-1953	Z02-1954	Z02-1954
52	J02-2601	BAIL TRIP PLATE	J00-1101	J00-1101	J02-1001
53	G94-0402	SCREW (I)	G94-0402	G94-0402	G94-0402
54	J10-6401	BODY	J10-6401	J10-6601	J10-6801
55	J14-0601	MAIN SHAFT	J14-0601	J14-0901	J14-0901
56	H61-4301	STABILIZER BAR (A)	H61-4301	H61-4301	H61-4301
57	J08-4801	STABILIZER BAR (B)	J08-4801	J08-4802	J08-4803
58	H59-5501	ANTI-REVERSE CAM	H59-5501	H59-5501	J02-0501
59	H59-5401	ANTI-REVERSE LEVER	H59-5401	H59-5401	H59-5401
60	H69-7801	ANTI-REVERSE CAM SPRING	H69-7801	H69-7801	H69-7801
61	J30-1701	REAR COVER	J01-5901	J01-5901	J01-5901
62	J00-1801	SCREW (J)	J00-1801	J00-1801	J00-1801
63	H59-5701	WASHER (C)	H59-5701	H59-5701	G64-4201
64	H76-8401	OSCILLATING GEAR	H72-7901	H61-3901	G64-4302
65	H77-0601	"O" RING (B)	H77-0601	G46-6001	B85-3101
66	H12-9200	WASHER (D)	H12-9200	H12-9200	G52-2100
67	G36-9005	BALL BEARING (E)	G36-9005	G36-9005	G46-7105
68	G94-0402	SCREW (K)	G94-0402	G94-0402	H27-2202
69	G67-0501	"O" RING (C)	G67-0501	G67-0501	G64-5301
71	375-8500	WASHER (E)	375-8500	375-8500	373-7800
72	G46-7302	BALL BEARING (F)	G46-7302	G46-7302	G52-3405
73	J10-6501	SIDE COVER	J10-6501	J10-6701	J10-6901
74	G33-2904	SCREW (L)	G33-2904	G33-2904	G33-2904
75	J10-0201	PACKING (B)	J10-0201	J10-0201	J10-0401
76	J10-7401	HANDLE ASSEMBLY	J10-7501	J01-3601	J10-7601
77	G52-2703	BALL BEARING (G)	G52-2703	G52-2703	B86-1704
78	G47-2401	BEARING RETAINER (C)	G47-2401	G47-2401	G52-5101
79	J10-0201	PACKING (C)	J10-0201	J10-0201	J10-0401
80	F72-1001	COLLAR (E)	F72-1001	F72-1001	F72-1202
81	160-8101	WASHER (F)	160-8101	160-8101	160-8101
82	H61-3302	HANDLE SCREW	H61-3302	H61-3302	H64-1802
84	--	COLLAR(F)	--	--	J21-2801
85	--	WASHER(H)	--	--	J21-2701