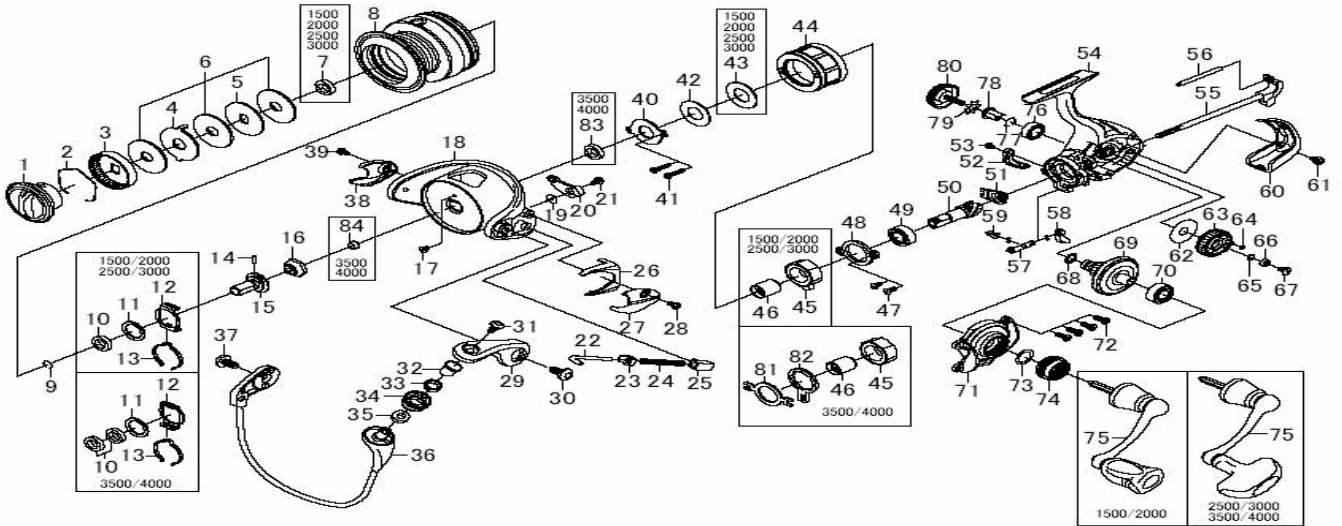


PROCYON 1500SH/2000SH/2500SH/3000SH/3500SH/4000SH

Please order by parts number, not key number
Veuillez indiquer le numéro de la pièce (Non "Key" No.)



KEY NO.	PROCYON 1500SH PART No.	PART NAME	PROCYON 2000SH PART No.	PROCYON 2500SH PART No.	PROCYON 3000SH PART No.	PROCYON 3500SH PART No.	PROCYON 4000SH PART No.
1	H76-9501	DRAG KNOB	H76-9501	H72-8802	H72-8802	H77-4401	H77-4401
2	F74-2501	DRAG WASHER RETAINER	F74-2501	F74-2501	F74-2501	F71-0001	F71-0001
3	F90-8701	DRAG KNOB CLICK PLATE	F90-8701	F90-8701	F90-8701	F69-5302	F69-5302
4	F63-5201	EARED WASHER	F63-5201	H76-1301	H76-1301	F75-5701	F75-5701
5	H62-7701	KEY WASHER	H62-7701	H76-1201	H76-1201	H71-4001	H71-4001
6	F63-5001	DRAG WASHER	F63-5001	H76-1101	H76-1101	F62-7101	F62-7101
7	H62-4801	COLLAR (A)	H62-4801	H62-4801	H62-4801	-	-
2-8	H76-9901	SPOOL ASSEMBLY	H76-9201	H72-8501	H76-9901	H77-4101	H77-4101
9	G47-2401	COLLAR RETAINER	G47-401	G47-2401	G47-2401	G52-5101	G52-5101
10	H62-4801	COLLAR (B)	H62-4801	H62-4801	H62-4801	G74-7401	G74-7401
11	F62-5500	WASHER (D)	F62-5500	F62-5500	F62-5500	G90-3900	G90-3900
12	H41-6001	CLICK LEAF SPRING HOLDER	H41-6001	H41-6001	H41-6001	G69-4001	G69-4001
13	H41-9102	SPOOL CLICK LEAF SPRING	H41-9102	H41-9102	H41-9102	F70-9002	F70-9002
14	G37-5001	PIN	G37-9001	G37-5001	G37-5001	G22-4101	G22-4101
15	H60-1301	SPOOL METAL	H60-1301	H60-1301	H60-1301	H64-1501	H64-1501
16	H62-9601	ROTOR NUT	H62-9601	H59-8301	H59-8301	H64-1401	H64-1401
17	H02-2701	SCREW (A)	H02-2701	H02-2701	H02-2701	H02-2701	H02-2701
18	H44-3205	ROTOR	H44-3205	H41-3510	H41-3510	H64-0204	H64-0204
19	H44-3301	BAIL TRIP LEVER SPRING	H44-3301	H41-3601	H41-3601	H41-3601	H41-3601
20	H44-3401	BAIL TRIP LEVER	H44-3401	H41-3701	H41-3701	H64-0401	H64-0401
21	H41-7701	SCREW (B)	H41-7701	H41-7701	H41-7701	H41-7701	H41-7701
22	H44-3601	BAIL SPRING SHAFT	H44-3601	H41-4101	H41-4101	H64-0601	H64-0601
23	H57-6101	BAIL SPRING PLATE	H57-6101	H57-6101	H57-6101	H57-6101	H57-6101
24	H44-2401	BAIL SPRING	H44-2401	H54-5701	H54-5701	H64-0701	H64-0701
25	H41-4301	BAIL SPRING HOLDER	H41-4301	H41-4301	H41-4301	H41-4301	H41-4301
26	H44-3705	COVER (C)	H44-3705	H41-4008	H41-4008	H64-0804	H64-0804
27	H44-3802	COVER (A)	H44-3802	H41-4602	H41-4602	H64-0901	H64-0901
28	G27-0801	COVER (B)	G27-0801	G27-0801	G27-0801	G27-0801	G27-0801
29	H76-8701	BAIL ARM	H76-8701	H76-8701	H76-8701	H72-8901	H72-8901
30	G20-5001	SCREW (B)	G20-5001	G20-5001	G20-5001	G20-5001	G20-5001
31	G19-5602	SCREW (C)	G19-5602	G19-5602	G19-5602	G19-5602	G19-5602
32	G19-5501	COLLAR (C)	G19-5501	G19-5501	G19-5501	G19-5501	G19-5501
33	G32-0701	COLLAR (D)	G32-0701	G27-0701	G27-0701	G22-0701	G22-0701
34	F92-1601	LINE ROLLER	F92-1601	F92-1601	F92-1601	F92-1601	F92-1601
35	G04-7601	COLLAR (E)	G04-7601	G04-7601	G04-7601	G04-7601	G04-7601
36	H76-8801	BAIL ASSEMBLY	H76-8801	H72-8201	H72-8201	H77-3701	H77-3701
37	G20-5001	SCREW (D)	G20-5001	G20-5001	G20-5001	G20-5001	G20-5001
38	H44-3302	COVER (E)	H44-3302	H41-5102	H41-5102	H64-1301	H64-1301
39	G27-0801	SCREW (E)	G27-0801	G27-0801	G27-0801	G27-0801	G27-0801
40	H60-1101	COVER RETAINER	H60-1101	H60-1101	H60-1101	H64-0001	H64-0001
41	H41-3201	SCREW (F)	H41-3201	H41-3201	H41-3201	H41-3201	H41-3201
42	H60-1001	WASHER (E)	H60-1001	H60-1001	H60-1001	H63-9801	H63-9801
43	H60-9901	WASHER (F)	H60-9901	H60-9901	H60-9901	-	-
44	H60-9302	COVER (D)	H60-9302	H60-9302	H60-9302	H64-2503	H64-2503
45	H41-2601	ROLLER CLUTCH	H41-2601	H41-2601	H41-2601	G31-4501	G31-4501
46	H61-5501	SPACING SLEEVE	H61-5501	H61-5501	H61-5501	H63-9601	H63-9601
47	E13-4509	SCREW (G)	E13-4509	E13-4509	E13-4509	H62-4901	H62-4901
48	H44-2201	BEARING RETAINER (A)	H44-2201	H44-2201	H44-2201	H59-9101	H59-9101
49	G46-7301	BALL BEARING (A)	G46-7301	G46-7301	G46-7301	G52-2801	G52-2801
50	H76-6201	PINION GEAR	H76-6201	H70-8801	H70-8801	H66-6601	H66-6601
51	H59-6401	COLLAR (F)	H59-6401	H59-6401	H59-6401	H64-9001	H64-9001
52	H47-9101	COLLAR (G)	H47-9101	H47-9101	H47-9101	H77-5701	H77-5701
53	H46-5401	SCREW	H46-5401	H46-5401	H46-5401	H46-5401	H46-5401
54	H72-7701	BODY	H72-7701	H72-7701	H72-7701	H77-3001	H77-3001
55	H76-8501	MAIN SHAFT	H76-8501	H73-2701	H73-2701	H77-3301	H77-3301
56	H59-6301	STABILIZER BAR	H59-6301	H59-6301	H59-6301	H63-9301	H63-9301
57	H59-5501	ANTI-REVERSE CAM	H59-5501	H59-5501	H59-5501	H63-9001	H63-9001
58	H69-5401	ANTI-REVERSE LEVER	H69-5401	H69-5401	H69-5401	H69-5401	H69-5401
59	H69-7801	ANTI-REVERSE CAM SPRING	H69-7801	H69-7801	H69-7801	H69-7801	H69-7801
60	H75-7201	REAR COVER	H75-7201	H75-7201	H75-7201	H77-3601	H77-3601
61	G33-2704	SCREW (H)	G33-2704	G33-2704	G33-2704	G33-2704	G33-2704
62	H59-5701	WASHER (G)	H59-5701	H59-5701	H59-5701	G64-4201	G64-4201
63	H68-8401	OSCILLATING GEAR	H68-8401	H79-7901	H79-7901	H54-5301	H54-5301
64	H77-0601	"O" RING (A)	H77-0601	H77-0601	H77-0601	B85-3101	B85-3101
65	H12-9200	WASHER (H)	H12-9200	H12-9200	H12-9200	G52-2100	G52-2100
66	G46-9002	BALL BEARING (B)	G46-9002	G46-9002	G46-9002	G46-7102	G46-7102
67	G94-0402	SCREW (I)	G94-0402	G94-0402	G94-0402	G64-5101	G64-5101
68	G67-0501	"O" RING (B)	G67-0501	G67-0501	G67-0501	G64-5301	G64-5301
69	H72-9001	DRIVE GEAR	H72-9001	H72-9001	H72-9001	H54-4702	H54-4702
70	G46-7301	BALL BEARING (C)	G46-7301	G46-7301	G46-7301	G52-3403	G52-3403
71	H72-8101	SIDE COVER	H72-8101	H72-8101	H72-8101	H77-3501	H77-3501
72	G33-2904	SCREW (J)	G33-2904	G33-2904	G33-2904	G64-2904	G64-2904
73	G61-3400	WASHER (I)	G61-3400	G61-3400	G61-3400	G64-5600	G64-5600
74	H59-7801	SCREW (I)	H59-7801	H59-7801	H59-7801	H64-5701	H64-5701
75	H76-9101	HANDLE ASSEMBLY	H76-9101	H77-0701	H77-0701	H77-4001	H77-4001
76	G52-2701	BALL BEARING (D)	G52-2701	G52-2701	G52-2701	G43-1002	G43-1002
77	G47-2401	BEARING RETAINER (B)	G47-2401	G47-2401	G47-2401	G52-5101	G52-5101
78	F72-1001	COLLAR (H)	F72-1001	F72-1001	F72-1001	F72-1202	F72-1202
79	160-8101	WASHER	160-8101	160-8101	160-8101	160-8101	160-8101
80	H61-3301	HANDLE SCREW	H61-3301	H61-3301	H61-3301	H64-1801	H64-1801
81	-	CLUTCH CAM RETAINER	-	-	-	H66-5001	H66-5001
82	-	CLUTCH CAM	-	-	-	F64-1401	F64-1401
83	-	COLLAR (I)	-	-	-	H64-0301	H64-0301
84	-	COLLAR (J)	-	-	-	G75-1201	G75-1201