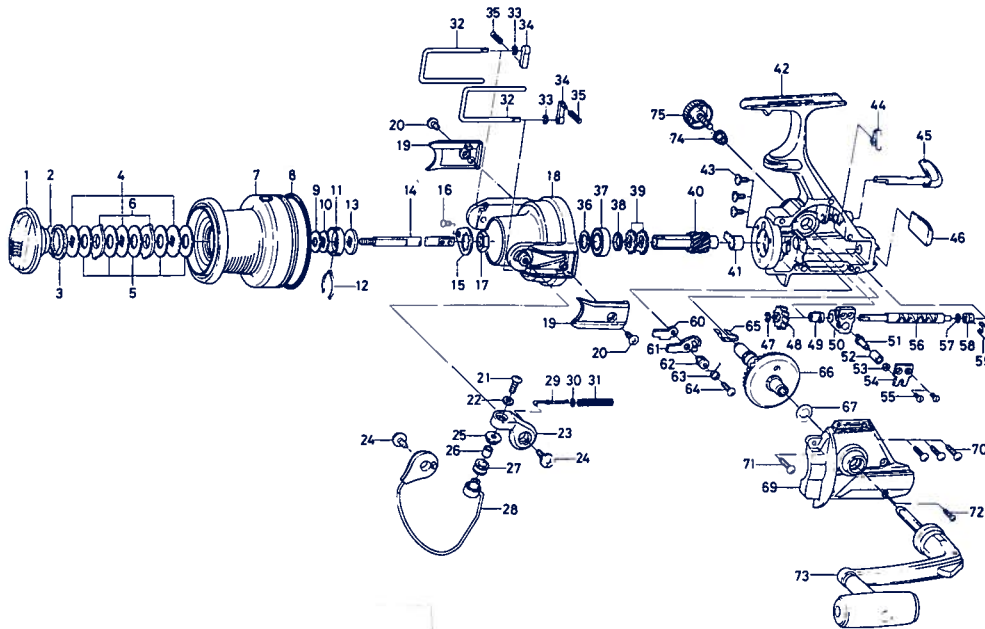


SPINNING REEL — PM7000H / 9000H



Key No. 2-8

Key No.	Part No.	Part Name	Quantity
1	E43-4701	Spool assembly	1
2	E40-2602	Drag knob	1
3	F03-9701	Drag washer retaining ring	1
4	F03-5101	Key washer	1
5	B36-0207	Drag washer	1
6	372-3832	Eared washer	1
7	E43-4601	Spool assembly	1
8	E40-2901	"O" ring	1
9	E39-9201	Spool washer A	1
10	F04-3401	Spool washer B	1
11	E12-2304	Click leaf spring holder	1
12	B74-7701	Spool click leaf spring	1
13	E26-7501	Main shaft washer	1
14	E43-1501	Main shaft	1
15	E33-3801	Rotor nut holding plate	1
16	E15-7502	Rotor nut holding plate screw	1
17	B43-7605	Rotor nut	1
18	E43-3504	Rotor	1
19	E43-2802	Bail spring cover	1
20	E10-7402	Bail spring cover screw	1
21	353-8207	Line roller screw	1
22	B11-2701	Lock washer	1
23	E39-6001	Bail arm	1
24	E00-7601	Bail arm screw	1
25	E26-6501	Line roller collar	1
26	B41-3001	Line roller bushing	1
27	E33-8901	Line roller	1
28	E43-3801	Bail assembly	1
29	E32-6701	Bail spring shaft	1
30	E31-3901	Bail spring washer	1
31	E39-5901	Bail spring	1
32	E43-1302	Line guard shaft	1
33	B33-9801	Line guard retainer	1
34	E39-6201	Line guard plate	1
35	F06-3301	Line guard spring	1
36	B27-0701	Bearing washer	1
37	637-6101	Ball bearing	1
38	E43-6001	Spacing sleeve	1
39	E26-2701	Anti-reverse ratchet	1
40	E43-1601	Pinion gear	1
41	E33-2101	Pinion holder	1

Key No.	Part No.	Part Name	Quantity
42	E43-7101	Body assembly	1
43	E03-7801	Bearing retainer screw	1
44	E32-7801	Anti-reverse cam spring	1
45	F03-5402	Anti-reverse lever	1
46	E39-5402	Rear cover	1
47	320-5901	Worm shaft gear retainer	1
48	E43-1801	Worm shaft gear	1
49	E39-3501	Worm shaft bush	1
50	E43-2901	Oscillating slider	1
51	E26-4101	Oscillating pawl	1
52	E26-4201	Oscillating pawl bush	1
53	375-0800	Oscillating pawl washer	1
54	E26-4301	Oscillating slider cover	1
55	352-1502	Oscillating slider cover screw	1
56	E33-5901	Worm shaft	1
57	B41-1700	Worm shaft washer	1
58	E43-6101	Worm shaft collar	1
59	E43-6201	Worm shaft retainer	1
60	E43-2301	Anti-reverse pawl plate	1
61	E43-2001	Anti-reverse pawl	1
62	E26-2101	Anti-reverse pawl collar	1
63	E43-6301	Anti-reverse pawl spring A	1
64	B83-5002	Anti-reverse pawl screw	1
65	E26-4501	Anti-reverse pawl spring B	1
66	E43-3001	Drive gear	1
67	371-2822	Drive gear washer	1
69	E43-6901	Side cover	1
70	B00-9702	Side cover screw A	1
71	B00-9701	Side cover screw B	1
72	E15-8601	Side cover screw C	1
73	E43-4301	Handle assembly	1
74	501-8401	Handle collar	1
75	L00-9102	Handle lock screw	1

PM9000H Special Parts:

2-8	E43-5301	Spool assembly	1
7	E43-5201	Spool assembly	1
8	E43-6401	"O" ring	1
18	E43-3604	Rotor	1
28	E43-4001	Bail assembly	1
42	E43-7102	Body assembly	1
69	E43-6903	Side cover	1