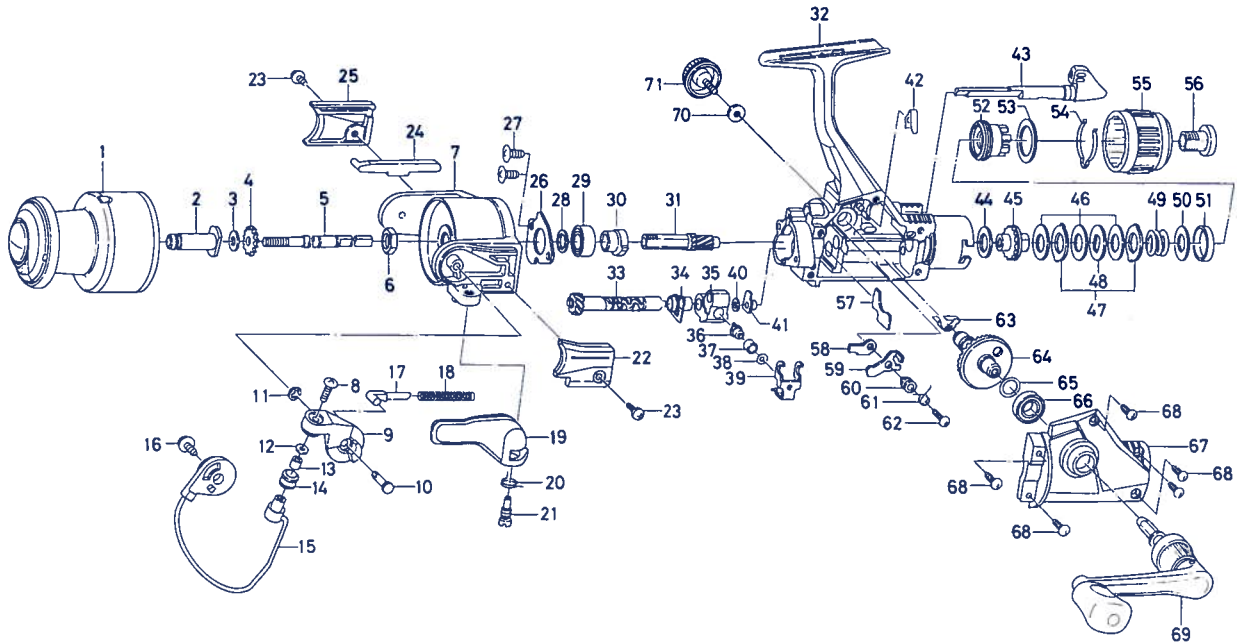


SPINNING REEL — PM1355



Key

No.	Part No.	Part Name
1	F06-5002	Spool assembly
2	F05-8101	Spool metal
3	374-6400	Spool washer
4	E13-1201	Main shaft washer
5	F05-7201	Main shaft
6	341-9201	Rotor nut
7	E36-8004	Rotor
8	B67-9304	Line roller screw
9	E36-9501	Bail arm
10	E36-9601	Bail arm screw
11	320-5901	Bail arm screw retainer
12	B55-4301	Line roller washer
13	B45-1501	Line roller bushing
14	250-3921	Line roller
15	E49-2301	Bail assembly
16	E00-7101	Bail trip cam screw
17	E36-4401	Bail spring shaft
18	E39-0601	Bail spring
19	E36-9801	Trigger lever
20	E36-9901	Trigger spring
21	E41-7801	Trigger screw
22	E36-9702	Bail spring cover
23	E36-4202	Bail spring cover screw
24	E36-5002	Bail trip lever
25	E36-5105	Bail trip cover
26	F05-7101	Bearing retainer
27	E03-7801	Bearing retainer screw
28	375-8503	Bearing washer
29	L03-6601	Ball bearing A
30	F03-7501	Anti-reverse ratchet
31	E41-7001	Pinion gear
32	F16-1501	Body assembly
33	F12-4001	Worm shaft
34	F08-7101	Worm shaft bush
35	F05-6401	Oscillating slider
36	E19-1202	Oscillating pawl

Key

No.	Part No.	Part Name
37	E19-1301	Oscillating pawl bush
38	375-0800	Oscillating pawl washer
39	F05-7301	Oscillating slider cover
40	B53-6100	Worm shaft washer
41	F05-6901	Worm shaft collar
42	E26-8701	Anti-reverse cam spring
43	F05-9903	Anti-reverse lever
44	B48-9904	Drag washer A
45	F09-6501	Click gear
46	B49-0202	Drag washer B
47	B49-0102	Eared washer
48	B49-0301	Key washer
49	F06-2301	Drag coil spring
50	372-7601	Drag screw washer A
51	F12-4401	Drag screw collar
52	F05-7501	Drag screw
53	E49-5001	Drag screw washer B
54	F05-9701	Drag washer spring
55	F06-4901	Drag knob
56	F05-7801	Drag knob screw
57	F08-7201	Shield plate
58	B95-9301	Anti-reverse pawl plate
59	E27-1301	Anti-reverse pawl
60	B95-9501	Anti-reverse pawl collar
61	B95-9602	Anti-reverse pawl spring A
62	B00-8601	Anti-reverse pawl screw
63	E24-5301	Anti-reverse pawl spring B
64	F00-7101	Drive gear
65	375-8501	Drive gear washer
66	634-1301	Ball bearing B
67	F13-7301	Side cover
68	E15-8602	Side cover screw
69	E41-7901	Handle assembly
70	F02-0201	Handle lock washer
71	F03-5601	Handle lock screw