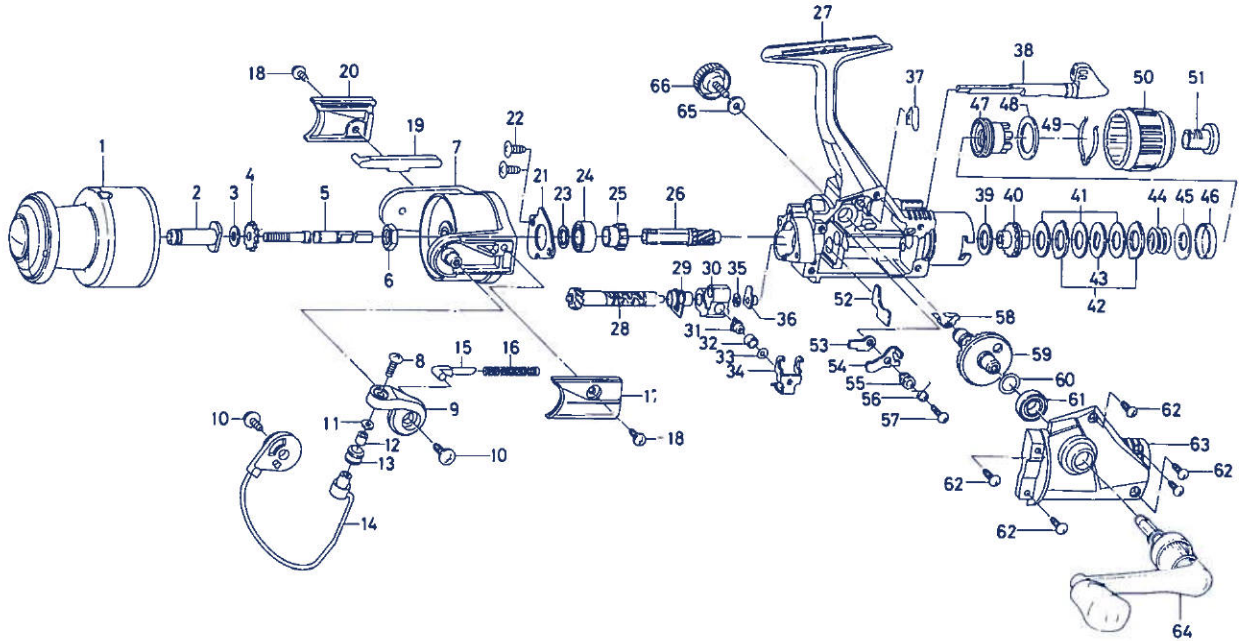


SPINNING REEL — PM1350



Key

Key No.	Part No.	Part Name
1	F06-5002	Spool assembly
2	F05-8101	Spool metal
3	374-6400	Spool washer
4	E13-1201	Main shaft washer
5	F05-7201	Main shaft
6	341-9201	Rotor nut
7	E36-4305	Rotor
8	B67-9304	Line roller screw
9	F00-8501	Bail arm
10	E00-7101	Bail arm screw
11	B55-4301	Line roller washer
12	B45-1501	Line roller bushing
13	250-3921	Line roller
14	F12-2901	Bail assembly
15	E36-4401	Bail spring shaft
16	E39-0501	Bail spring
17	E36-4601	Bail spring cover
18	E36-4202	Bail spring cover screw
19	E36-5002	Bail trip lever
20	E36-5105	Bail trip cover
21	F05-7101	Bearing retainer
22	E03-7801	Bearing retainer screw
23	375-8503	Bearing washer
24	L03-6601	Ball bearing A
25	F03-5301	Anti-reverse ratchet
26	E41-7001	Pinion gear
27	F06-5102	Body assembly
28	F12-4001	Worm shaft
29	F08-7101	Worm shaft bush
30	F05-6401	Oscillating slider
31	E19-1202	Oscillating pawl
32	E19-1301	Oscillating pawl bush
33	375-0800	Oscillating pawl washer

Key

Key No.	Part No.	Part Name
34	F05-7301	Oscillating slider cover
35	B53-6100	Worm shaft washer
36	F05-6901	Worm shaft collar
37	E26-8701	Anti-reverse cam spring
38	F05-9903	Anti-reverse lever
39	B48-9904	Drag washer A
40	F09-6501	Click gear
41	B49-0202	Drag washer B
42	B49-0102	Eared washer
43	B49-0301	Key washer
44	F06-2301	Drag coil spring
45	372-7601	Drag screw washer A
46	F12-4401	Drag screw collar
47	F05-7501	Drag screw
48	E49-5001	Drag screw washer B
49	F05-9701	Drag washer spring
50	F06-4901	Drag knob
51	F05-7801	Drag knob screw
52	F08-7201	Shield plate
53	B95-9301	Anti-reverse pawl plate
54	E27-1301	Anti-reverse pawl
55	B95-9501	Anti-reverse pawl collar
56	B95-9602	Anti-reverse pawl spring A
57	B00-8601	Anti-reverse pawl screw
58	E24-5301	Anti-reverse pawl spring B
59	F00-7101	Drive gear
60	375-8501	Drive gear washer
61	634-1301	Ball bearing B
62	E15-8602	Side cover screw
63	F13-7302	Side cover
64	E41-7901	Handle assembly
65	F02-0201	Handle lock washer
66	F03-5601	Handle lock screw