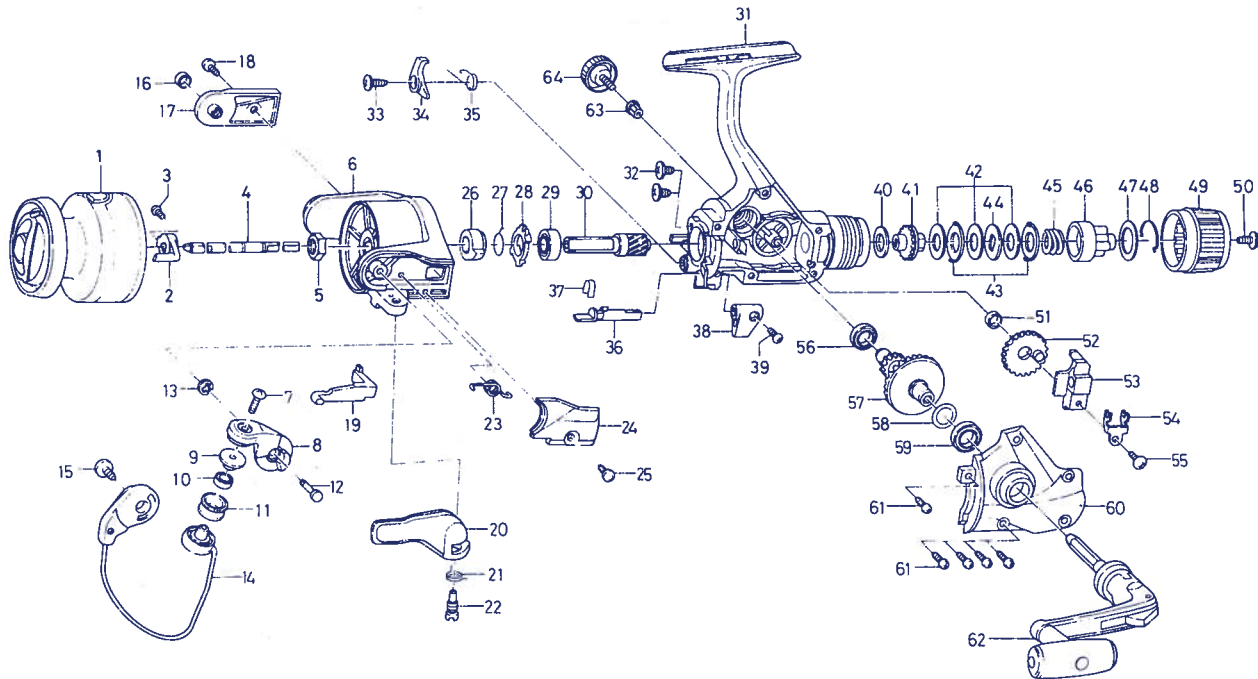


SPINNING REEL PG1655BL



Key NO.	Parts No.	Parts Name	Key NO.	Parts No.	Parts Name
1	F20-1701	Spool assembly	33	E00-7101	Anti-reverse pawl screw
2	F20-1602	Spool metal	34	F19-9901	Anti-reverse pawl
3	351-1001	Spool metal screw	35	F19-9801	Anti-reverse pawl spring B
4	F20-0102	Main shaft	36	F19-5101	Anti-reverse cam
5	340-6602	Rotor nut	37	F19-5201	Anti-reverse cam spring
6	F11-0905	Rotor	38	F19-4901	Anti-reverse lever
7	B67-9305	Line roller screw	39	B64-6602	Anti-reverse lever screw
8	F17-9801	Bail arm	40	B46-9505	Drag washer A
9	F06-6301	Line roller collar	41	L11-0701	Click gear
10	F05-5601	Ball bearing A	42	L11-0801	Drag washer B
11	F05-8901	Line roller	43	L11-0901	Eared washer
12	E49-3501	Bail arm screw	44	L11-0001	Key washer
13	320-5901	Bail arm screw retainer	45	F06-2301	Drag coil spring
14	F19-4301	Bail assembly	46	F20-0501	Drag collar
15	B51-5302	Bail trip cam screw	47	L11-0101	Drag collar washer
16	F17-3001	Bail trip collar	48	L08-0701	Drag washer spring
17	F19-4001	Bail trip cover	49	F20-2901	Drag knob
18	L01-1701	Bail trip cover screw	50	E03-7802	Drag knob screw
19	E46-2101	Bail trip lever	51	F13-1601	Oscillating gear collar
20	F18-0001	Trigger lever	52	E46-1501	Oscillating gear
21	E36-9901	Trigger spring	53	F19-9201	Oscillating slider
22	E37-0001	Trigger screw	54	F20-0201	Oscillating slider retainer
23	F22-2601	Bail spring	55	351-0901	Oscillating slider screw
24	E49-2501	Bail spring cover	56	631-6901	Ball bearing C
25	E36-4201	Bail spring cover screw	57	E52-0201	Drive gear
26	F24-8901	Anti-reverse ratchet	58	373-7800	Drive gear washer
27	F20-1101	Anti-reverse pawl spring A	59	631-6901	Ball bearing D
28	F20-1001	Spring holder	60	F20-0305	Side cover
29	L03-6502	Ball bearing B	61	E15-8602	Side cover screw
30	E52-0101	Pinion gear	62	L05-0204	Handle assembly
31	F20-0011	Body assembly	63	E12-7501	Handle collar
32	E03-7801	Bearing retainer screw	64	B92-5002	Handle lock screw