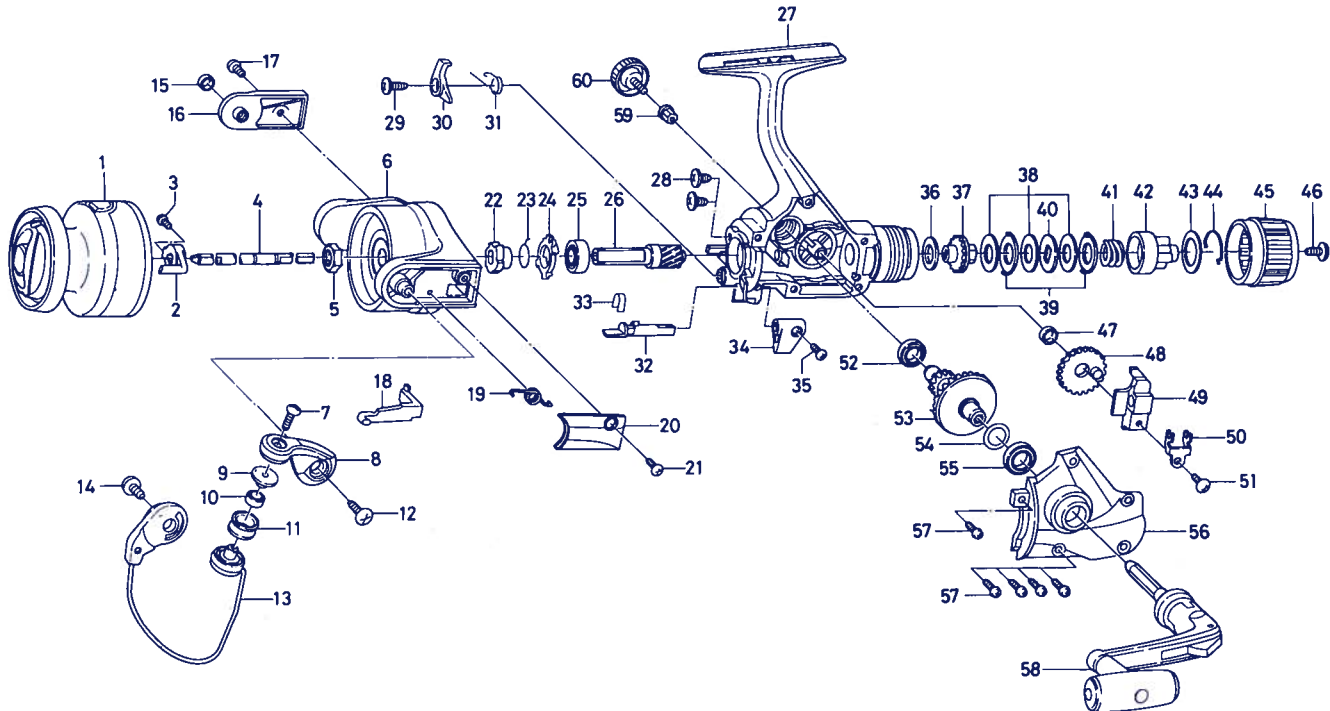


# SPINNING REEL PG1650BL/2050BL



No.	Key Parts No.	Parts Name
1	F20-1701	Spool assembly
2	F20-1602	Spool metal
3	351-1001	Spool metal screw
4	F20-0102	Main shaft
5	340-6602	Rotor nut
6	F20-1301	Rotor
7	B67-9305	Line roller screw
8	E50-4802	Bail arm
9	F06-6301	Line roller collar
10	F05-5601	Ball bearing A
11	F05-8901	Line roller
12	E00-7102	Bail arm screw
13	F20-1401	Bail assembly
14	B51-5302	Bail trip cam screw
15	F17-3001	Bail trip collar
16	F19-4001	Bail trip cover
17	L01-1701	Bail trip cover screw
18	E46-2101	Bail trip lever
19	F12-8901	Bail spring
20	E46-2201	Bail spring cover
21	E36-4201	Bail spring cover screw
22	F20-1201	Anti-reverse ratchet
23	F20-1101	Anti-reverse pawl spring A
24	F20-1001	Spring holder
25	L03-6502	Ball bearing B
26	E52-0101	Pinion gear
27	F20-0001	Body assembly
28	E03-7801	Bearing retainer screw
29	E00-7101	Anti-reverse pawl screw
30	F19-9901	Anti-reverse pawl
31	F19-9801	Anti-reverse pawl spring B
32	F19-5101	Anti-reverse cam
33	F19-5201	Anti-reverse cam spring
34	F19-4901	Anti-reverse lever

No.	Key Parts No.	Parts Name
35	B64-6602	Anti-reverse lever screw
36	B46-9505	Drag washer A
37	L11-0701	Click gear
38	L11-0601	Drag washer B
39	L11-0901	Eared washer
40	L11-1001	Key washer
41	F06-2301	Drag coil spring
42	F20-0501	Drag collar
43	L11-0101	Drag collar washer
44	L08-0701	Drag washer spring
45	F20-2901	Drag knob
46	E03-7802	Drag knob screw
47	F13-1601	Oscillating gear collar
48	E46-1501	Oscillating gear
49	F19-9201	Oscillating slider
50	F20-0201	Oscillating slider retainer
51	351-0901	Oscillating slider screw
52	631-6901	Ball bearing C
53	E52-0201	Drive gear
54	373-7800	Drive gear washer
55	631-6901	Ball bearing C
56	F20-0301	Side cover
57	E15-8602	Side cover screw
58	L05-0202	Handle assembly
59	E12-7501	Handle collar
60	B92-5002	Handle lock screw

### PG2050BL Special parts

1	F20-3301	Spool assembly
6	F20-2401	Rotor
13	F20-3201	Bail assembly
18	E46-3101	Bail trip lever
27	F20-0003	Body assembly
56	F20-0302	Side cover