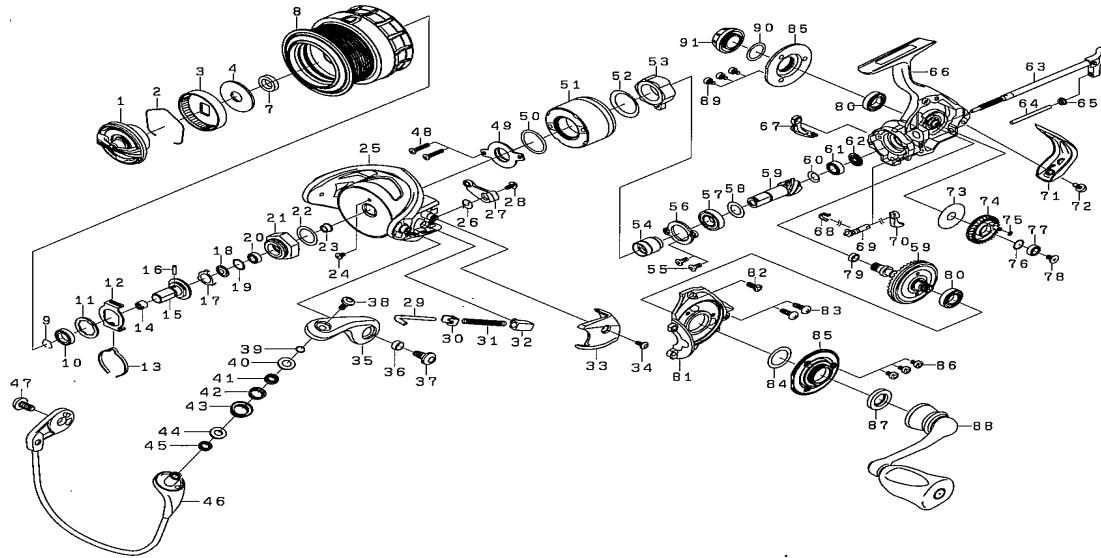


DAWA

SPINNING REEL

LUVIAS1003

Please order by parts number, not key number
 Veuillez indiquer le numéro de la pièce (Non "Key" No.)



Key No.	Part No.	Part Name	Key No.	Part No.	Part Name
1	J21-7801	DRAG KNOB	47	H43-1201	SCREW
2	F71-0001	DRAG WASHER RET	48	H59-6502	SCREW
3	F89-5307	DRAG KNOB CLICK PLT	49	H74-0901	MAGNET
4	H80-6701	DRAG WASHER	50	H74-1401	O RING
5	F62-7301	EARED WASHER	51	H74-0702	COVER
6	F62-7201	KEY WASHER	52	H97-9201	WASHER
7	H41-6301	DRAG COLLAR	53	H41-2601	ROLLER CLUTCH
8	J23-6801	SPOOL ASSEMBLY	54	H87-9601	SPACING SLEEVE
9	G47-2401	BEARING RETAINER	55	G99-7301	SCREW
10	G81-8902	BALL BEARING	56	H73-9101	BEARING RET
11	H80-6300	WASHER	57	G27-9602	BALL BEARING
12	H41-6001	CLICK HOLDER	58	H41-1400	WASHER
13	H41-6101	CLICK LEAF SPRING	59	Z02-1642	PINION+DRIVE GEAR UNIT
14	J18-0801	SPOOL METAL NUT	60	G57-2500	SPRING WASHER
15	J18-1401	SPOOL METAL	61	G46-7101	BALL BEARING
16	G37-5001	PIN	62	H45-9401	COLLAR
17	G47-1501	BEARING RET	63	J18-0601	MAIN SHAFT
18	H46-1201	PACKING	64	H77-8701	STABILIZER BAR
19	G46-6103	WASHER	65	H77-8801	COLLAR
20	G46-6205	BALL BEARING	66	J23-6101	BODY
21	H80-5801	ROTOR NUT	67	H73-7801	BAIL TRIP PLT
22	371-2824	WASHER	68	H80-9201	FRAME
23	H85-4901	COLLAR A	69	H73-8201	A/R CAM
24	H02-2701	LINE GUARD SCREW	70	H41-0106	A/R LEVER
25	H98-6317	ROTOR	71	H85-0703	REAR COVER
26	H41-3601	BAIL TRIP LEVER SPRING	72	H85-0801	SCREW
27	J07-2301	BAIL TRIP LEVER	73	H54-5402	WASHER
28	H41-7701	SCREW	74	H45-8902	OSC GEAR
29	H57-2001	BAIL SPRING SHAFT	75	G86-9601	O-RING
30	H57-6101	BAIL SPRING PLT	76	G46-6100	GEAR WASHER
31	J08-9301	BAIL SPRING	77	G46-6202	BALL BEARING
32	J08-9401	BAIL SPRING HOLDER	78	G99-7001	SCREW
33	H98-6401	COVER (A)	79	H45-9901	RING
34	H43-1301	SCREW	80	H73-9703	BALL BEARING
35	H96-0104	BAIL ARM	81	H77-9505	SIDE COVER
36	H96-2401	COLLAR A	82	351-1010	SCREW
37	H43-1201	SCREW	83	G99-7701	SCREW
38	H69-7701	SCREW	84	G46-8000	WASHER
39	H96-1001	COLLAR A	85	J23-6201	BODY COVER
40	H03-8301	PACKING	86	F62-3305	SCREW
41	G68-6903	BALL BEARING	87	H86-6201	PACKING
42	H96-0901	COLLAR	88	J23-6701	HANDLE ASSEMBLY
43	G68-6703	LINE ROLLER	89	G99-7503	SCREW
44	H96-0801	COLLAR	90	G39-9702	O RING
45	H96-0701	COLLAR	91	H74-5101	HANDLE SCREW CAP
46	H98-6501	BAIL ASSEMBLY			