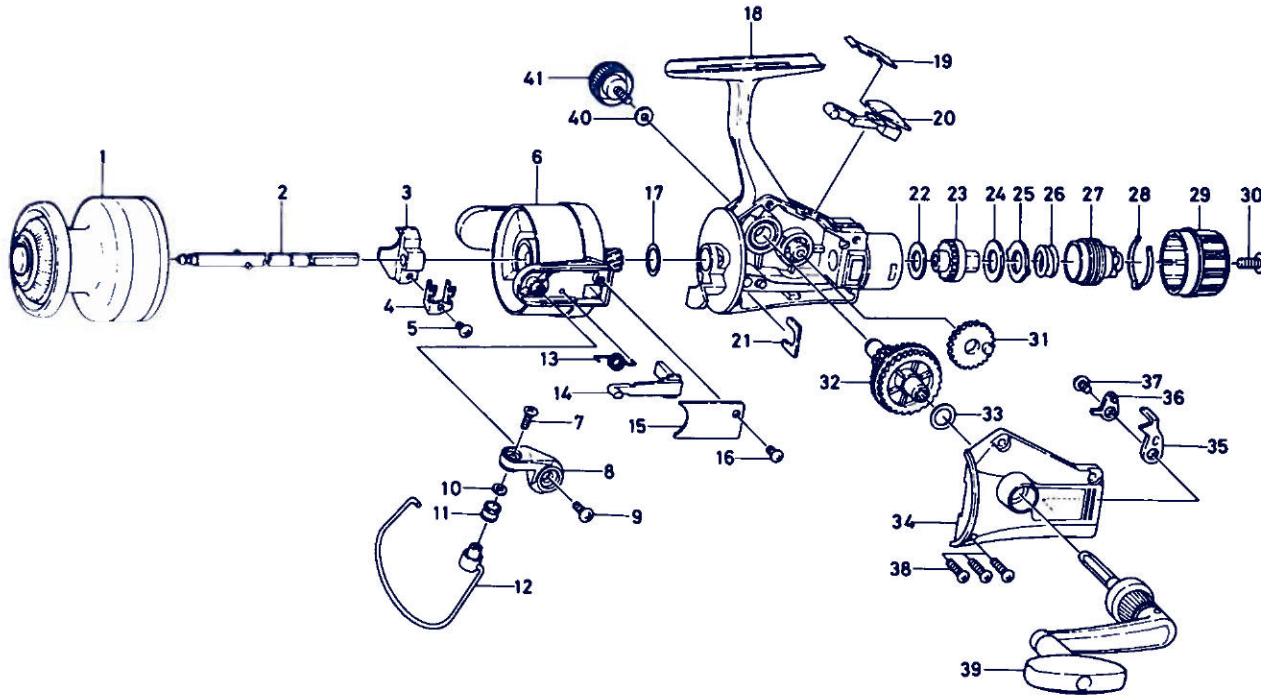


## SPINNING REEL — J1050L



### Key

Key No.	Part No.	Part Name
1	B77-8610	Spool
2	B74-8201	Main shaft
3	B74-8101	Oscillating slider
4	B81-2701	Oscillating slider retainer
5	351-1804	Oscillating slider screw
6	K13-6501	Rotor
7	B67-9301	Line roller screw
8	B91-6701	Bail arm
9	351-6102	Bail arm screw
10	B55-4301	Line roller washer
11	250-3921	Line roller
12	B92-3901	Bail
13	B91-6501	Bail spring
14	B92-3802	Bail trip lever
15	B91-6801	Bail spring cover
16	352-0402	Bail spring cover screw
17	372-8600	Spool washer
18	K06-1403	Body
19	B79-0101	Anti-reverse cam spring
20	B84-8901	Anti-reverse lever
21	B60-3801	Pinion retainer

### Key

Key No.	Part No.	Part Name
22	B48-9902	Drag washer A
23	B74-7401	Click gear
24	B76-0501	Drag washer B
25	B49-0102	Eared washer
26	B92-6701	Drag coil spring
27	B74-7603	Drag screw
28	B74-7701	Drag washer spring
29	B74-7801	Drag knob
30	352-1103	Drag knob spring screw
31	413-4501	Oscillating gear
32	B91-7101	Drive gear
33	375-8502	Drive gear washer
34	K06-1603	Side cover
35	E05-2001	Anti-reverse pawl
36	B50-1201	Anti-reverse pawl plate
37	351-6102	Anti-reverse pawl screw
38	351-6407	Side cover screw
39	B91-9401	Handle
40	B92-4901	Handle lock washer
41	B92-5001	Handle screw cap