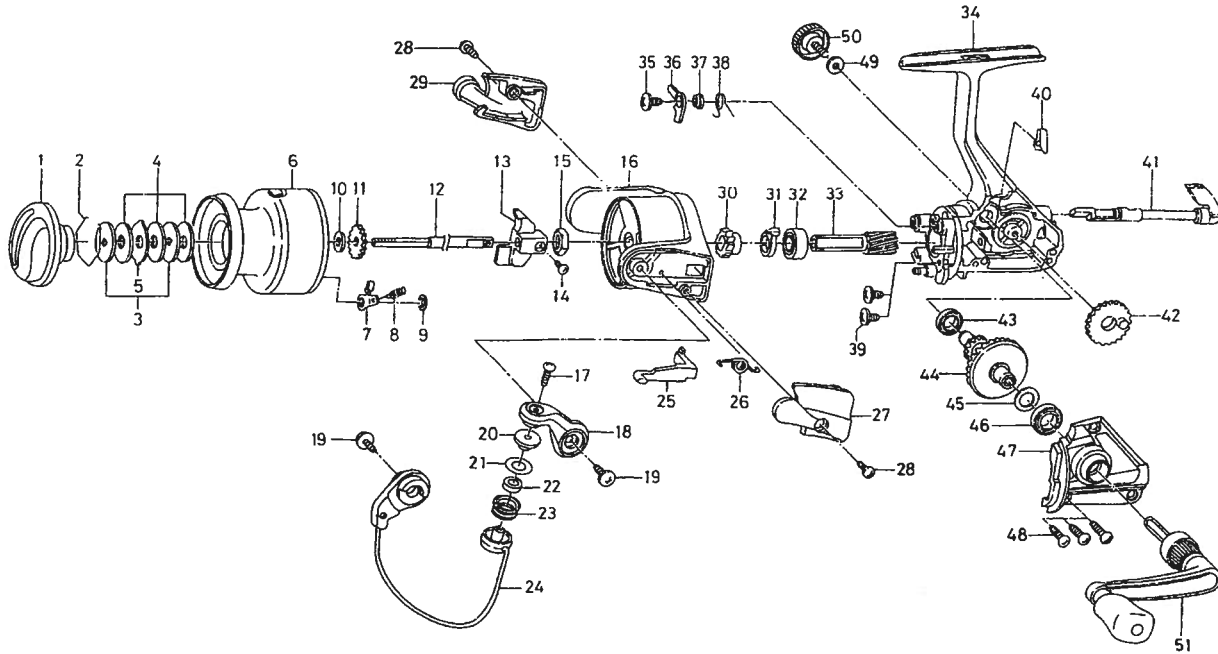


# JUPITER-Z2500T-3B



Key No.	Parts No.	Parts Name	Key No.	Parts No.	Parts Name
2-9	F72-7601	SPOOL	27	F31-0318	BAIL SPRING COVER
1	F42-0903	DRAG KNOB	28	E36-4202	BAIL SPRING COVER SCREW
2	171-7701	DRAG WASHER RET	29	F31-0405	BAIL TRIP COVER
3	E46-7201	KEY WASHER	30	F31-1502	A/R RATCHET
4	E13-6003	DRAG WASHER	31	E38-5501	SPRING HOLDER
5	373-3603	EARED WASHER	32	L03-6601	BALL BEARING A
7	B07-5304	CLICK PAWL	33	E51-9801	PINION GEAR
8	E40-3101	CLICK SPRING	34	F72-7301	BODY
9	320-5901	CLICK RET	35	L00-1801	A/R PAWL SCREW
10	E46-7101	SPOOL WASHER	36	L01-4401	A/R PAWL
11	270-6501	CLICK GEAR	37	L01-4302	A/R PAWL COLLAR
12	F61-9401	MAIN SHAFT	38	L00-1501	A/R PAWL SPRING
13	F39-5801	OSC SLIDER	39	E03-7801	BEARING RET SCREW
14	351-0315	OSC SLIDER SCREW	40	F38-5901	A/R CAM SPRING
15	341-9201	ROTOR NUT	41	F08-5121	A/R LEVER
16	F31-1405	ROTOR	42	F60-6001	OSC GEAR
17	B67-9304	LINE ROLLER SCREW	43	E30-6801	BALL BEARING B
18	F61-9201	BAIL ARM	44	F17-0001	DRIVE GEAR
19	B84-2102	BAIL ARM SCREW	45	373-7808	DRIVE GEAR WASHER
20	F44-6302	LINE ROLLER COLLAR	46	631-6901	BALL BEARING C
21	F44-6202	LINE ROLLER WASHER	47	F72-7401	SIDE COVER
22	F47-3401	LINE ROLLER BUSHING	48	B83-5002	SIDE COVER SCREW
23	F45-4901	LINE ROLLER	49	B92-4902	HANDLE LOCK SCREW WASHER
24	F61-9603	BAIL	50	F03-5605	HANDLE LOCK SCREW
25	E45-1601	BAIL TRIP LEVER	51	F72-7501	HANDLE
26	F12-8901	BAIL SPRING			