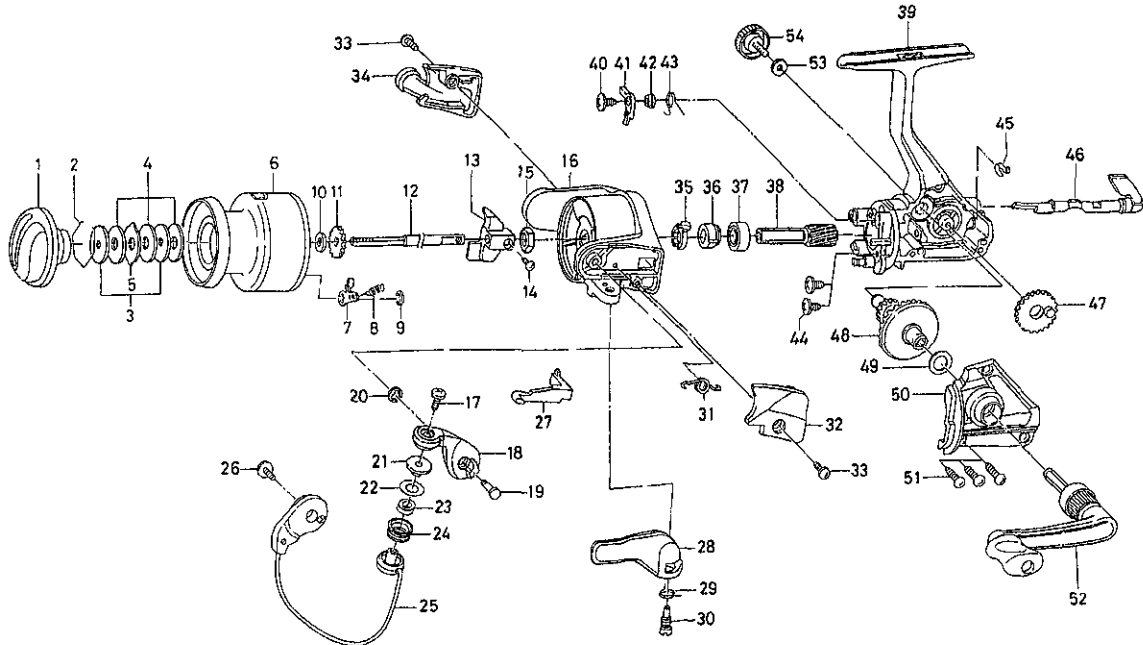


# JUPITER-X2505T



| Key No. | Parts No. | Parts Name          |
|---------|-----------|---------------------|
| 2-9     | F61-0701  | SPOOL               |
| 1       | F32-2106  | DRAG KNOB           |
| 2       | 171-7701  | DRAG WASHER RET     |
| 3       | E46-7201  | KEY WASHER          |
| 4       | E13-6003  | DRAG WASHER         |
| 5       | 373-3603  | EARED WASHER        |
| 7       | B07-5304  | CLICK PAWL          |
| 8       | E40-3101  | CLICK SPRING        |
| 9       | 320-5901  | CLICK RET           |
| 10      | E46-7101  | SPOOL WASHER        |
| 11      | 270-6501  | CLICK GEAR          |
| 12      | F61-9401  | MAIN SHAFT          |
| 13      | F39-5801  | OSC SLIDER          |
| 14      | 351-0315  | OSC SLIDER SCREW    |
| 15      | 341-9201  | ROTOR NUT           |
| 16      | F31-0113  | ROTOR               |
| 17      | B67-9305  | LINE ROLLER SCREW   |
| 18      | F61-9302  | BAIL ARM            |
| 19      | E49-3501  | BAIL ARM SCREW      |
| 20      | 320-5901  | BAIL ARM SCREW RET  |
| 21      | F44-6302  | LINE ROLLER COLLAR  |
| 22      | F44-6202  | LINE ROLLER WASHER  |
| 23      | F47-3401  | LINE ROLLER BUSHING |
| 24      | F45-4901  | LINE ROLLER         |
| 25      | F61-9702  | BAIL                |
| 26      | B84-2102  | BAIL HOLDER SCREW   |
| 27      | E45-1601  | BAIL TRIP LEVER     |

| Key No. | Parts No. | Parts Name              |
|---------|-----------|-------------------------|
| 28      | F18-0007  | TRIGGER LEVER           |
| 29      | E36-9901  | TRIGGER SPRING          |
| 30      | E37-0001  | TRIGGER SCREW           |
| 31      | F12-8901  | BAIL SPRING             |
| 32      | F31-0510  | BAIL SPRING COVER       |
| 33      | E36-4201  | BAIL SPRING COVER SCREW |
| 34      | F31-0610  | BAIL TRIP COVER         |
| 35      | E38-5501  | SPRING HOLDER           |
| 36      | E49-2401  | A/R RATCHET             |
| 37      | L03-6601  | BALL BEARING            |
| 38      | L01-3902  | PINION GEAR             |
| 39      | F61-0502  | BODY                    |
| 40      | L00-1801  | A/R PAWL SCREW          |
| 41      | L01-4401  | A/R PAWL                |
| 42      | L01-4302  | A/R PAWL COLLAR         |
| 43      | L00-1501  | A/R PAWL SPRING         |
| 44      | E03-7801  | BEARING RET SCREW       |
| 45      | F38-5901  | A/R CAM SPRING          |
| 46      | F08-5110  | A/R LEVER               |
| 47      | F60-6001  | OSC GEAR                |
| 48      | F08-4801  | DRIVE GEAR              |
| 49      | 373-7802  | DRIVE GEAR WASHER       |
| 50      | F61-0602  | SIDE COVER              |
| 51      | B83-5001  | SIDE COVER SCREW        |
| 52      | E49-3801  | HANDLE                  |
| 53      | B92-4902  | HANDLE LOCK WASHER      |
| 54      | B92-5004  | HANDLE LOCK SCREW       |