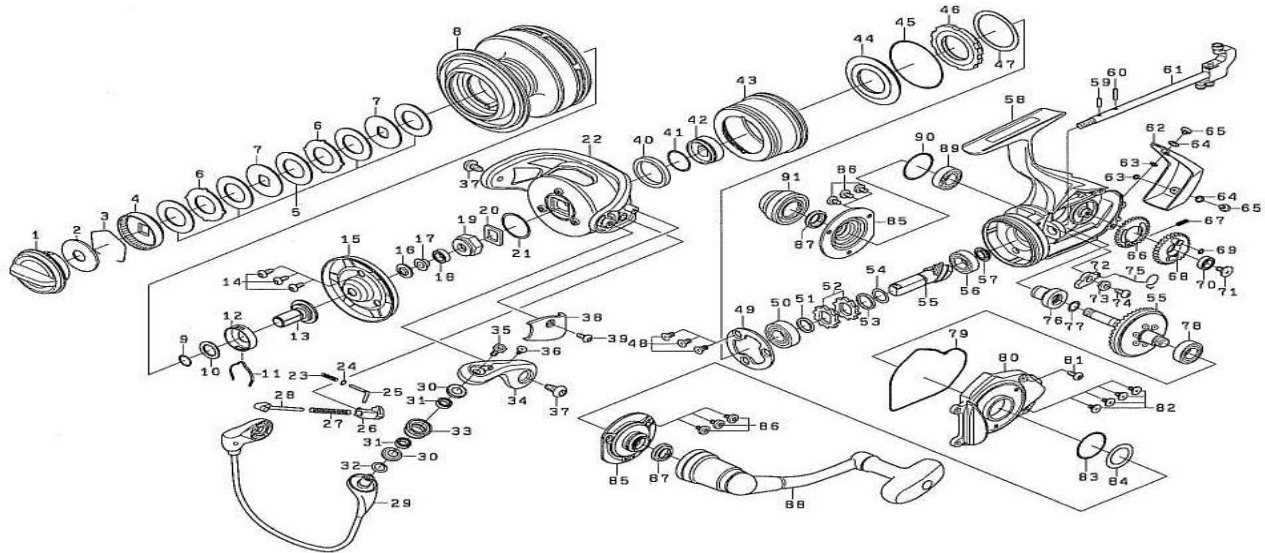




Please order by parts number, not key number
 Veuillez indiquer le numéro de la pièce (Non "Key" No.)

SPINNING REEL ISLA 7000H/7000BULL



Key No.	Part No.	Part Name	Key No.	Part No.	Part Name
1	H77-2301	DRAG KNOB	49	H50-1901	BEARING RETAINER
2	H61-6701	DRAG WASHER (A)	50	G42-6301	BALL BEARING(C)
3	F71-0001	DRAG WASHER RETAINER	51	H68-3501	COLLAR (C)
4	G16-5603	DRAG KNOB CLICK PLATE	52	E26-2701	RATCHET
5	H24-7202	DRAG WASHER (B)	53	372-7603	WASHER (F)
6	G16-5902	EARED WASHER	54	372-7600	WASHER (G)
7	G16-2702	KEY WASHER	55	Z02-0536	PINION GEAR+DRIVE GEAR SET
2~8	H93-6801	SPOOL ASSEMBLY	56	B86-1703	BALL BEARING(D)
9	G16-3201	"O" RING (A)	57	H68-3001	COLLAR (D)
10	G34-1500	WASHER (A)	58	H85-8002	BODY
11	G34-1401	SPOOL CLICK LEAF SPRING	59	G33-9301	PIN(A)
12	G34-1301	CLICK LEAF SPRING HOLDER	60	G33-8901	PIN(B)
13	H28-7702	SPOOL METAL	61	H68-2702	MAIN SHAFT
14	H50-3901	SCREW(A)	62	H85-8301	REAR COVER
15	H68-5701	ROTOR COVER	63	375-4102	WASHER (H)
16	H68-5601	PACKING(A)	64	E09-6505	WASHER (I)
17	H68-5501	COLLAR (B)	65	H79-8201	SCREW(G)
18	B86-1702	BALL BEARING(A)	66	G33-4901	OSCILLATING GEAR(A)
19	H68-5402	ROTOR NUT	67	G15-7401	OSCILLATING GEAR SPRING
20	H68-5301	ROTOR NUT PLATE	68	H68-2601	OSCILLATING GEAR(B)
21	F27-4501	"O" RING (B)	69	G21-3001	"O" RING (E)
22	H68-4501	ROTOR	70	B86-1702	BALL BEARING(E)
23	H78-2801	BAIL SPRING(A)	71	H34-7101	SCREW(H)
24	E27-2501	WASHER (B)	72	H68-3601	ANTI-REVERSE PAWL
25	H68-4601	BAIL SPRING SHAFT(A)	73	G33-6201	COLLAR (E)
26	H68-4701	BAIL SPRING HOLDER	74	351-6413	SCREW(I)
27	G41-8101	BAIL SPRING(B)	75	G33-6601	SPRING
28	G33-7301	BAIL SPRING SHAFT(B)	76	G33-4702	OSCILLATING PINION GEAR
29	H68-4902	BAIL ASSEMBLY	77	G33-6701	"O" RING (F)
30	G16-2001	LINE ROLLER BUSHING	78	G42-6301	BALL BEARING(F)
31	G37-0905	BALL BEARING(B)	79	H68-3901	BODY SHIELD
32	E09-6500	WASHER (C)	80	H68-3803	SIDE COVER
33	H79-4602	LINE ROLLER	81	G16-0101	SCREW(J)
34	H50-3602	BAIL ARM	82	H50-5201	SCREW(K)
35	H50-4701	SCREW(B)	83	H03-6301	"O" RING (G)
36	H84-2802	SCREW(C)	84	H68-4000	WASHER (J)
37	H50-3701	SCREW(D)	85	H85-8103	DRIVE BEARING COVER
38	H68-4802	COVER(A)	86	G94-6801	SCREW(L)
39	H50-3901	SCREW(E)	87	H68-5801	PACKING(D)
40	H68-7201	WASHER (D)	88	H93-6701	HANDLE ASSEMBLY
41	G33-8401	"O" RING (C)	89	G42-6301	BALL BEARING(G)
42	H68-8601	CLUTCH RING	90	H03-6301	"O" RING (H)
43	H71-9401	COVER(B)	91	H85-8801	HANDLE SCREW CAP
44	H53-5301	MAGNET ASSEMBLY			
45	H50-2601	"O" RING (D)			
46	F76-5401	ROLLER CLUTCH			
47	F19-7302	WASHER (E)			
48	F20-6902	SCREW(F)			

ISLA 7000BULL SPECIAL PARTS		
Key No.	Part No.	Part Name
2~8	H93-9601	SPOOL ASSEMBLY
55	Z02-0629	PINION GEAR+DRIVE GEAR SET