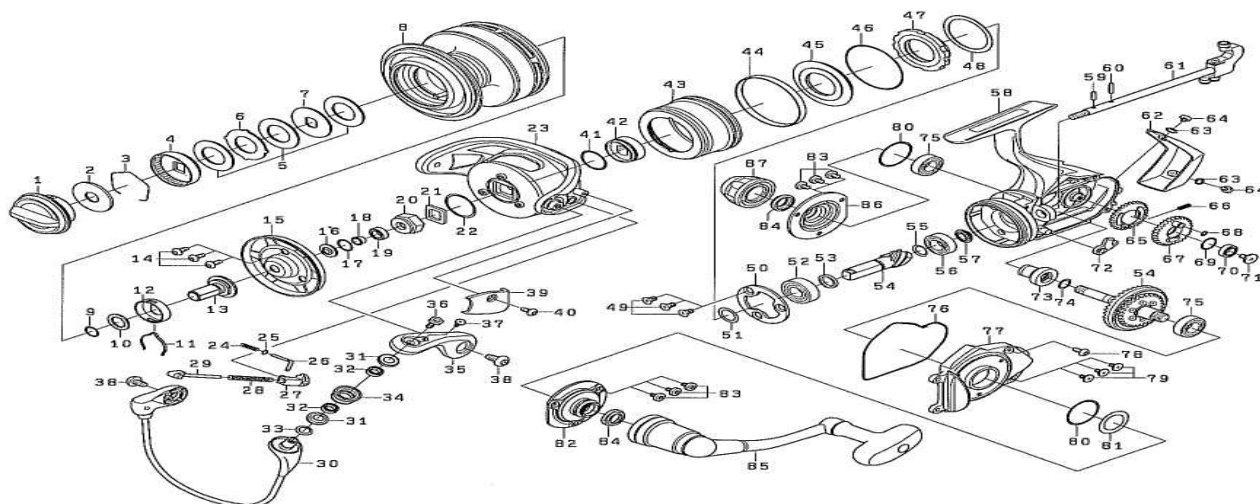




Please order by parts number, not key number
 Veuillez indiquer le numéro de la pièce (Non "Key" No.)

SPINNING REEL ISLA 5000H



Key No.	Part No.	Part Name	Key No.	Part No.	Part Name
1	H77-2301	DRAG KNOB	45	H53-5301	MAGNET ASSEMBLY
2	H61-6701	WASHER	46	H50-2601	"O" RING (D)
3	F71-0001	DRAG WASHER RET	47	F76-5401	ROLLER CLUTCH
4	G16-5603	DRAG KNOB CLICK PLATE	48	F19-7302	WASHER (E)
5	H24-7202	DRAG WASHER (B)	49	F20-6902	SCREW(F)
6	G16-5902	EARED WASHER	50	H50-1901	BEARING RETAINER
7	G16-2702	KEY WASHER	51	371-2829	WASHER (F)
2-8	H93-6601	SPOOL ASSEMBLY	52	635-5001	BALL BEARING(C)
9	G16-3201	"O" RING (A)	53	H50-1801	COLLAR (C)
10	H50-5300	WASHER (A)	54	Z02-0216	GEAR UNIT
11	B74-7701	SPOOL CLICK LEAF SPRING	55	G57-8501	SPRING WASHER
12	E12-2301	CLICK LEAF SPRING HOLDER	56	G52-2702	BALL BEARING(D)
13	G20-3803	SPOOL METAL	57	H50-1601	COLLAR (D)
14	H50-3901	SCREW(A)	58	H77-1002	BODY
15	H50-5101	COLLAR (A)	59	G22-4101	PIN(A)
16	H50-5001	PACKING(A)	60	G16-2801	PIN(B)
17	G52-2103	WASHER (B)	61	H50-1302	MAIN SHAFT
18	H50-4901	COLLAR (B)	62	H77-1302	REAR COVER
19	G46-7102	BALL BEARING(A)	63	E09-6505	WASHER (G)
20	H50-4801	ROTOR NUT	64	H79-8201	SCREW(G)
21	G39-2201	ROTOR NUT PLATE	65	G59-1501	OSCILLATING GEAR(A)
22	H50-1001	"O" RING (B)	66	G15-7401	OSCILLATING GEAR SPRING
23	H50-3201	ROTOR	67	H55-7401	OSCILLATING GEAR(B)
24	H50-3401	BAIL SPRING(A)	68	G21-3001	"O" RING (E)
25	G68-5401	WASHER (C)	69	G52-2100	WASHER (H)
26	H50-3301	BAIL SPRING SHAFT(A)	70	G46-7102	BALL BEARING(E)
27	H50-3501	BAIL SPRING HOLDER	71	H27-2201	SCREW(H)
28	H80-9101	BAIL SPRING(B)	72	G15-9301	ANTI-REVERSE PAWL
29	G01-7504	BAIL SPRING SHAFT(B)	73	H50-0801	OSCILLATING PINION GEAR
30	H50-4002	BAIL ASSEMBLY	74	G25-2201	"O" RING (F)
31	G16-2001	LINE ROLLER BUSHING	75	G52-2802	BALL BEARING(F)
32	G37-0905	BALL BEARING(B)	76	H50-2101	BODY SHIELD
33	E09-6500	WASHER (D)	77	H50-2004	SIDE COVER
34	H79-4602	LINE ROLLER	78	G16-0101	SCREW(I)
35	H50-3602	BAIL ARM	79	H50-5201	SCREW(J)
36	H50-4701	SCREW(B)	80	H50-1001	"O" RING (G)
37	H84-2802	SCREW(C)	81	H50-2200	WASHER (I)
38	H50-3701	SCREW(D)	82	H77-1902	DRIVE BEARING RETAINER(A)
39	H50-3802	COVER(A)	83	G94-6801	SCREW(K)
40	H50-3901	SCREW(E)	84	H50-5401	PACKING(D)
41	H25-5001	"O" RING (C)	85	H93-6401	HANDLE ASSEMBLY
42	H50-2301	CLUTCH RING	86	H77-1102	DRIVE BEARING RETAINER(B)
43	H50-2902	COVER(B)	87	H77-2101	HANDLE SCREW CAP
44	H62-9701	RING			