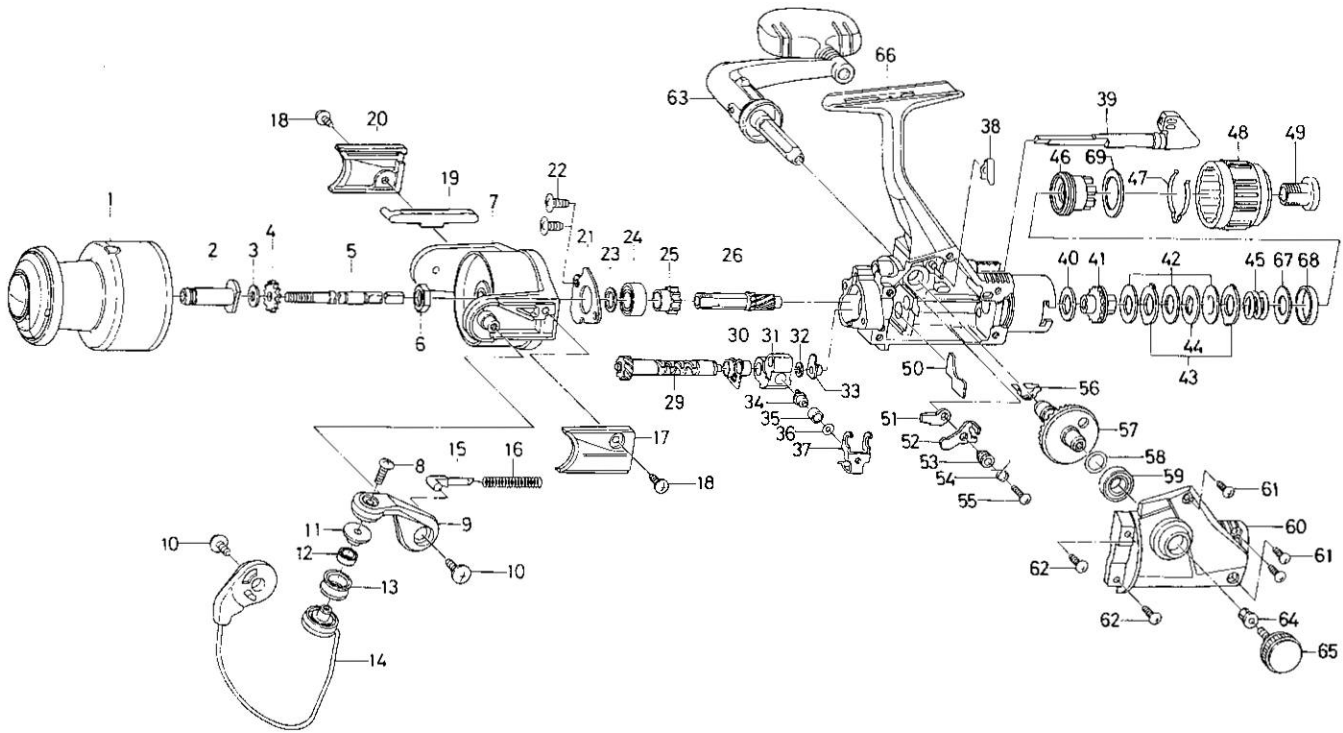


SPINNING REEL — GS750RD



Key

No.	Part No.	Part Name
1	F05-7901	Spool assembly
2	F05-8101	Spool metal
3	374-6400	Spool washer
4	E13-1201	Main shaft washer
5	F05-7201	Main shaft
6	341-9201	Rotor nut
7	F07-1701	Rotor
8	B67-9305	Line roller screw
9	F05-8201	Bail arm
10	E00-7102	Bail arm screw
11	F06-6301	Line roller collar
12	F05-5601	Ball bearing A
13	F05-8901	Line roller
14	F05-9001	Bail assembly
15	E36-4401	Bail spring shaft
16	E39-0501	Bail spring
17	E36-4601	Bail spring cover
18	E36-4201	Bail spring cover screw
19	E36-5001	Bail trip lever
20	E36-5105	Bail trip cover
21	F05-7101	Bearing retainer
22	E03-7801	Bearing retainer screw
23	375-8503	Bearing washer
24	L03-6601	Ball bearing B
25	F03-5301	Anti-reverse ratchet
26	E41-7001	Pinion gear
29	F12-4001	Worm shaft
30	F08-7101	Worm shaft bush
31	F05-6401	Oscillating slider
32	B53-6100	Worm shaft washer
33	F05-6901	Worm shaft collar
34	E19-1202	Oscillating pawl
35	E19-1301	Oscillating pawl bush
36	375-0800	Oscillating pawl washer

Key

No.	Part No.	Part Name
37	F05-7301	Oscillating slider cover
38	E26-8701	Anti-reverse cam spring
39	F05-9901	Anti-reverse lever
40	B48-9904	Drag washer A
41	F09-6501	Click gear
42	B49-0202	Drag washer B
43	B49-0102	Eared washer
44	B49-0301	Key washer
45	F06-2301	Drag coil spring
46	F05-7501	Drag screw
47	F05-9701	Drag washer spring
48	F06-3101	Drag knob
49	F05-7801	Drag knob screw
50	F08-7201	Shield plate
51	B95-9301	Anti-reverse pawl plate
52	E27-1301	Anti-reverse pawl
53	B95-9501	Anti-reverse pawl collar
54	B95-9602	Anti-reverse pawl spring A
55	B00-8601	Anti-reverse pawl screw
56	E24-5301	Anti-reverse pawl spring B
57	F00-7101	Drive gear
58	375-8500	Drive gear washer
59	634-1301	Ball bearing C
60	F06-5401	Side cover
61	E15-8601	Side cover screw A
62	E15-8602	Side cover screw B
63	F08-8103	Handle assembly
64	501-8501	Handle collar
65	F03-5602	Handle lock screw
66	F06-5301	Body assembly
67	372-7601	Drag screw washer A
68	F12-4401	Drag screw collar
69	E49-5001	Drag screw washer B