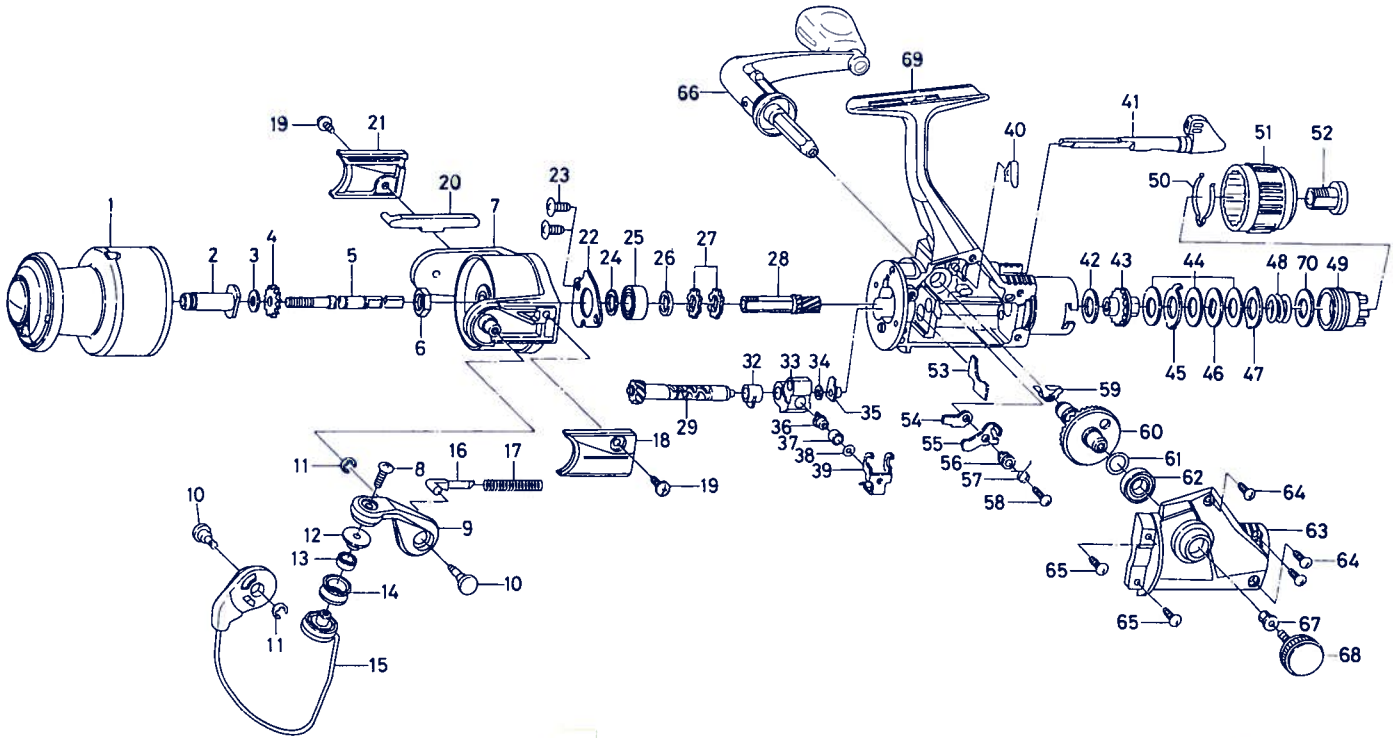


# SPINNING REEL — GS600RD / 700RD



Key No.	Part No.	Part Name	Price
1	F07-4201	Spool assembly	N/A*
2	F07-4601	Spool metal	1.90
3	375-3000	Spool washer	.45
4	E13-1201	Main shaft washer	.95
5	F07-3201	Main shaft	3.00
6	341-9201	Rotor nut	.55
7	E36-8101	Rotor	4.20
8	B67-9305	Line roller screw	.45
9	F07-3801	Bail arm	1.40
10	E37-1701	Bail arm screw	1.10
11	320-5901	Bail arm screw retainer	.50
12	F06-6301	Line roller collar	1.25
13	F05-5601	Ball bearing A	.70
14	F05-8901	Line roller	2.75
15	F07-3901	Bail assembly	7.20
16	E36-8201	Bail spring shaft	.70
17	F03-1201	Bail spring	.70
18	E36-8302	Bail spring cover	1.65
19	E36-4201	Bail spring cover screw	.60
20	E36-8401	Bail trip lever	1.25
21	E36-8505	Bail trip cover	1.40
22	F05-7101	Bearing retainer	.50
23	E03-7801	Bearing retainer screw	.60
24	375-8503	Bearing washer	.60
25	634-1301	Ball bearing B	6.95
26	E29-6101	Spacing sleeve	.70
27	E27-1501	Anti-reverse ratchet	.75
28	F07-5501	Pinion gear	5.80
31	F12-4301	Worm shaft	6.15
32	F07-3001	Worm shaft bush	.70
33	F07-2601	Oscillating slider	3.25
34	B53-6100	Worm shaft washer	.35
35	F05-6901	Worm shaft collar	.65
36	E12-2403	Oscillating pawl	4.85
37	E12-4601	Oscillating pawl bush	2.10
38	375-0800	Oscillating pawl washer	.40
39	F07-3301	Oscillating slider cover	1.40
40	E26-8701	Anti-reverse cam spring	.60

Key No.	Part No.	Part Name	Price
41	F07-2401	Anti-reverse lever	2.95
42	B48-9902	Drag washer A	.45
43	F07-3701	Click gear	2.10
44	B49-0202	Drag washer B	.60
45	B63-8301	Eared washer A	.45
46	B49-0301	Key washer	.45
47	B49-0102	Eared washer B	.40
48	B92-6703	Drag coil spring	.65
49	F07-6301	Drag screw	2.60
50	B74-7702	Drag washer spring	1.10
51	F07-6401	Drag knob	3.00
52	F05-7801	Drag knob screw	1.45
53	F08-7201	Shield plate	.80
54	B95-9301	Anti-reverse pawl plate	.70
55	E27-1301	Anti-reverse pawl	1.15
56	B95-9501	Anti-reverse pawl collar	.95
57	B95-9602	Anti-reverse pawl spring A	.60
58	B00-8601	Anti-reverse pawl screw	.35
59	E29-6902	Anti-reverse pawl spring B	1.40
60	E42-0101	Drive gear	3.20
61	375-8500	Drive gear washer	.43
62	634-1301	Ball bearing B	6.95
63	F07-3401	Side cover	7.25
64	E13-0502	Side cover screw A	.40
65	E13-0501	Side cover screw B	.60
66	F02-0401	Handle assembly	1.70
67	501-8501	Handle collar	.70
68	F03-5602	Handle lock screw	1.95
69	F07-2001	Body assembly	13.60
70	372-7601	Drag screw washer	.55

**GS700RD Special Parts:**

1	F07-7601	Spool assembly	N/A*
7	E38-1501	Rotor	5.50
15	F07-7401	Bail assembly	7.60
63	F07-3402	Side cover	7.35
66	F07-4901	Handle assembly	10.35
69	F07-2002	Body assembly	13.60