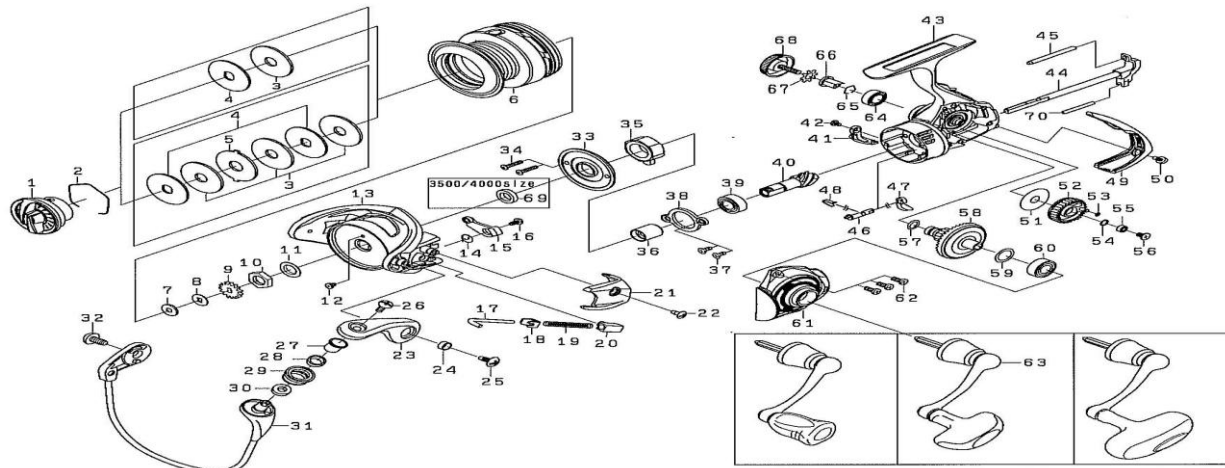




Please order by parts number, not key number  
 Veuillez indiquer le numéro de la pièce (Non "Key" No.)

# SPINNING REEL EXCELER 1500-2500SH/3000-4000H



KEY NO.	PART NAME	1500SH	2000SH	2500SH	3000H	3500H	4000H
1	DRAG KNOB	J14-2301	J14-2301	J14-2201	J14-2201	J14-2401	J14-2401
2	DRAG WASHER RETAINER	F88-4001	F88-4001	F88-4001	F88-4001	F88-4001	F88-4001
3	WASHER	F69-1001	F69-1001	F69-1001	F69-1001	F69-1001	F69-1001
4	DRAG WASHER	G70-0601	G70-0601	G70-0601	G70-0601	G70-0601	G70-0601
5	EARED WASHER	--	--	G70-0701	G70-0701	G70-0701	G70-0701
2-6	SPOOL ASSEMBLY	J02-4701	J02-3001	J00-2201	J01-4001	J05-8201	J02-1901
7	WASHER	E39-8000	E39-8000	E39-8000	E39-8000	E39-8000	E39-8000
8	WASHER	E46-7101	E46-7101	E46-7101	E46-7101	E46-7101	E46-7101
9	SPOOL CLICK GEAR	G83-9301	G83-9301	G83-9301	G83-9301	G83-9301	G83-9301
10	ROTOR NUT	J00-1901	J00-1901	J00-1901	J00-1901	J02-1601	J02-1601
11	WASHER	371-2824	371-2824	371-2824	371-2824	G64-5603	G64-5603
12	SCREW	H02-2701	H02-2701	H02-2701	H02-2701	H02-2701	H02-2701
13	ROTOR	H97-4305	H97-4305	H96-0006	H98-6304	H99-4304	H99-4304
14	BAIL TRIP LEVER SPRING	H44-3301	H44-3301	H41-3601	H41-3601	H41-3601	H41-3601
15	BAIL TRIP LEVER	H44-3401	H44-3401	J03-8501	J07-2301	H99-4401	H99-4401
16	SCREW	H41-7701	H41-7701	H41-7701	H41-7701	H41-7701	H41-7701
17	BAIL SPRING SHAFT	H44-3601	H44-3601	H41-4101	H57-2001	H64-0601	H64-0601
18	BAIL SPRING PLATE	H57-6101	H57-6101	H57-6101	H57-6101	H57-6101	H57-6101
19	BAIL SPRING	H44-2401	H44-2401	H54-5701	J08-9301	J08-4301	J08-4301
20	BAIL SPRING HOLDER	H41-4301	H41-4301	H41-4301	J08-9401	J08-9401	J08-9401
21	COVER(A)	H97-4401	H97-4401	H96-0201	H98-6401	H99-4601	H99-4601
22	SCREW	G27-0801	G27-0801	G27-0801	G27-0801	G27-0801	G27-0801
23	BAIL ARM	H72-8912	H72-8912	H72-8912	H72-8912	H72-8912	H72-8912
24	COLLAR	H96-2401	H96-2401	H96-2401	H96-2401	H96-2401	H96-2401
25	SCREW	G20-5001	G20-5001	G20-5001	G20-5001	G20-5001	G20-5001
26	SCREW	G19-5602	G19-5602	G19-5602	G19-5602	G19-5602	G19-5602
27	COLLAR	G19-5501	G19-5501	G19-5501	G19-5501	G19-5501	G19-5501
28	COLLAR	G22-0701	G22-0701	G22-0701	G22-0701	G22-0701	G22-0701
29	LINE ROLLER	J08-9901	J08-9901	J08-9901	J08-9901	J08-9901	J08-9901
30	COLLAR	G87-4201	G87-4201	G87-4201	G87-4201	G87-4201	G87-4201
31	BAIL ASSEMBLY	H98-3201	H98-3201	H98-2801	H98-3601	H98-4001	H98-4001
32	SCREW	G20-5001	G20-5001	G20-5001	G20-5001	G20-5001	G20-5001
33	CAP	J02-2701	J02-2701	J00-1501	J01-3401	J02-1401	J02-1401
34	SCREW	J00-1601	J00-1601	J00-1601	J00-1601	J00-1601	J00-1601
35	ROLLER CLUTCH	H99-2901	H99-2901	H99-2901	H99-2901	J01-5701	J01-5701
36	SPACING SLEEVE	J00-1401	J00-1401	J00-1401	J00-1401	J02-1301	J02-1301
37	SCREW	J00-0901	J00-0901	J00-0901	J00-0901	J00-0901	J00-0901
38	BEARING RETAINER	H44-2201	H44-2201	H44-2201	H41-1501	J02-0801	J02-0801
39	BALL BEARING	G46-7302	G46-7302	G46-7302	G53-5104	G52-2802	G52-2802
40+58	PINION + DRIVE GEAR UNIT	Z02-1510	Z02-1510	Z02-1510	Z02-1570	Z02-1606	Z02-1606
41	BAIL TRIP PLATE	J02-2601	J02-2601	J00-1101	J00-1101	J02-1001	J02-1001
42	SCREW	G94-0402	G94-0402	G94-0402	G94-0402	G94-0402	G94-0402
43	BODY	J00-0001	J00-0001	J00-0001	J01-2301	J02-0001	J02-0001
44	MAIN SHAFT	J02-2401	J02-2401	J00-0701	J01-2801	J02-0601	J02-0601
45	STABILIZER BAR	H61-4301	H61-4301	H61-4301	H61-4301	H61-4301	H61-4301
46	ANTI-REVERSE CAM	H59-5501	H59-5501	H59-5501	H59-5501	J02-0501	J02-0501
47	ANTI-REVERSE LEVER	H59-5401	H59-5401	H59-5401	H59-5401	H59-5401	H59-5401
48	ANTI-REVERSE CAM SPRING	H69-7801	H69-7801	H69-7801	H69-7801	H69-7801	H69-7801
49	REAR COVER	J00-1701	J00-1701	J00-1701	J01-3501	J02-1501	J02-1501
50	SCREW	J00-1801	J00-1801	J00-1801	J00-1801	J00-1801	J00-1801
51	WASHER	H59-5701	H59-5701	H59-5701	H59-5701	G64-4201	G64-4201
52	OSCILLATING GEAR	H76-8401	H76-8401	H72-7901	H61-3901	G64-4302	G64-4302
53	O RING	H77-0601	H77-0601	H77-0601	G46-6001	B85-3101	B85-3101
54	WASHER	H12-9200	H12-9200	H12-9200	H12-9200	G52-2100	G52-2100
55	BALL BEARING	G46-9005	G46-9005	G46-9005	G46-9005	G46-7105	G46-7105
56	SCREW	G94-0402	G94-0402	G94-0402	G94-0402	H27-2202	H27-2202
57	O RING	G67-0501	G67-0501	G67-0501	G67-0501	G64-5301	G64-5301
59	WASHER	375-8500	375-8500	375-8500	375-8500	373-7800	373-7800
60	BALL BEARING	G46-7302	G46-7302	G46-7302	G46-7302	G52-3405	G52-3405
61	SIDE COVER	J00-1201	J00-1201	J00-1201	J01-3201	J02-1101	J02-1101
62	SCREW	G33-2904	G33-2904	G33-2904	G33-2904	G33-2904	G33-2904
63	HANDLE ASSEMBLY	J02-2801	J02-2801	J00-2001	J01-3601	J02-1701	J02-1701
64	BALL BEARING	G52-2703	G52-2703	G52-2703	G52-2703	B86-1704	B86-1704
65	BEARING RETAINER	G47-2401	G47-2401	G47-2401	G47-2401	G52-5101	G52-5101
66	COLLAR	F72-1001	F72-1001	F72-1001	F72-1001	F72-1202	F72-1202
67	WASHER	160-8101	160-8101	160-8101	160-8101	160-8101	160-8101
68	HANDLE SCREW	H61-3302	H61-3302	H61-3302	H61-3302	H64-1802	H64-1802
69	-	--	--	--	--	H64-0301	H64-0301
70	STABILIZER BAR	J08-4801	J08-4801	J08-4801	J08-4802	J08-4803	J08-4803