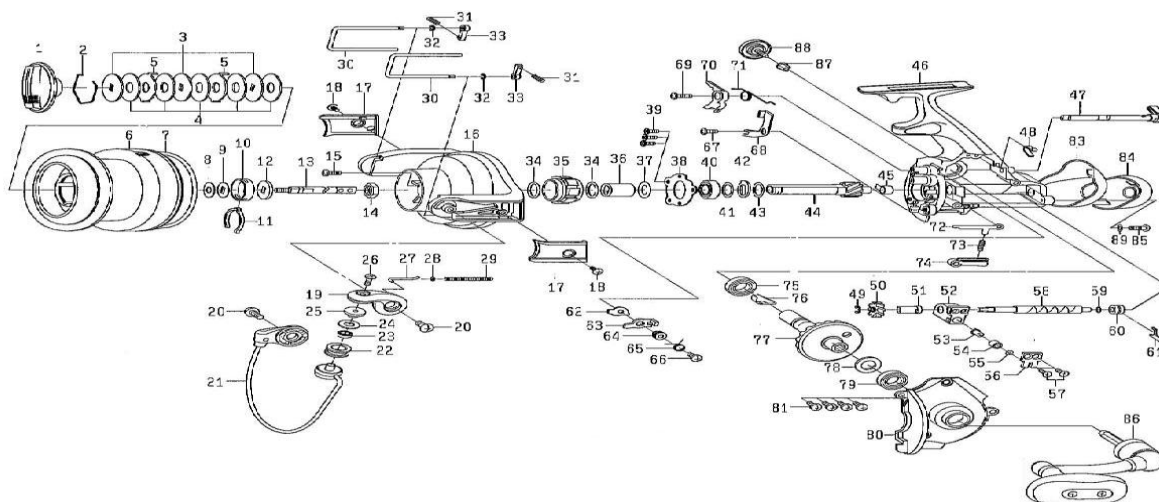




SPINNING REEL

EMBLEM PRO EX5000/5500

Please order by parts number, not key number
 Veuillez indiquer le numéro de la pièce (Non "Key" No.)



Key No.	Part No.	Parts Name
1	J12-9801	DRAG KNOB
2	F88-4001	DRAG WASHER RETAINER
3	F88-1701	DRAG WASHER
4	F75-5501	DRAG WASHER
5	F75-5701	KEY WASHER
2-7	J12-9601	SPOOL ASSEMBLY
7	E40-2901	"O" RING
8	E39-9200	WASHER (A)
9	F04-3401	WASHER (B)
10	F20-4001	CLICK LEAF SPRING HOLDER
11	B74-7701	SPOOL CLICK LEAF SPRING
12	E26-7501	WASHER (C)
13	F88-0201	MAIN SHAFT
14	B43-7608	ROTOR NUT
15	E15-7502	SCREW (A)
16	J12-9401	ROTOR
17	E43-2822	BAIL SPRING COVER
18	E10-7401	SCREW (B)
19	F47-2107	BAIL ARM
20	E00-7601	SCREW (C)
21	F97-2402	BAIL ASSEMBLY
22	F45-4901	LINE ROLLER
23	G37-0905	BALL BEARING (A)
24	F44-6202	WASHER (D)
25	F44-6302	COLLAR (A)
26	F60-8901	SCREW (D)
27	E32-6701	BAIL SPRING SHAFT
28	E31-3901	WASHER (E)
29	E44-1301	BAIL SPRING
30	E43-1302	LINE GUARD SHAFT
31	F06-3301	SPRING
32	B33-9801	RETAINER
33	E39-6201	LINE GUARD PLATE
34	F88-1001	WASHER (F)
35	F88-1101	ROLLER CLUTCH
36	F70-9801	SPACING SLEEVE
37	F26-7702	WASHER (G)
38	F88-0101	BEARING RETAINER
39	F21-2201	SCREW (E)
40	G42-6301	BALL BEARING (B)
41	372-7607	SPACER
42	F88-0001	ANTI-REVERSE RATCHET
43	372-7603	WASHER (I)
44	F88-2501	PINION GEAR
45	E33-2101	PINION HOLDER
46	J12-9301	BODY

Key No.	Part No.	Parts Name
47	F88-9507	ANTI-REVERSE LEVER
48	F87-9501	ANTI-REVERSE CAM SPRING
49	320-5901	WORM SHAFT RETAINER (A)
50	F53-2701	WORM SHAFT GEAR
51	E39-3501	WORM SHAFT BUSH
52	F97-2301	OSCILLATING SLIDER
53	E26-4101	OSCILLATING PAWL
54	E26-4201	COLLAR (D)
55	375-0800	WASHER (J)
56	E26-4301	OSCILLATING SLIDER COVER
57	352-1505	SCREW (F)
58	E54-1101	WORM SHAFT
59	B41-1700	WASHER (K)
60	E43-6101	COLLAR (E)
61	E43-6201	WORM SHAFT RETAINER (B)
62	F87-9701	ANTI-REVERSE PLATE (A)
63	F87-9801	ANTI-REVERSE PAWL (A)
64	E26-2101	COLLAR (F)
65	E43-6301	ANTI-REVERSE PAWL SPRING (A)
66	B00-9701	SCREW (G)
67	B84-2102	SCREW (H)
68	F88-0401	ANTI-REVERSE PLATE (B)
69	L06-6501	SCREW (I)
70	F88-0501	ANTI-REVERSE CLAW (B)
71	F88-0601	ANTI-REVERSE CLAW SPRING (B)
72	F88-0701	ANTI-REVERSE PLATE (C)
73	F88-0801	ANTI-REVERSE PLATE SPRING
74	F88-0905	PUSH BUTTON
75	E45-3901	BALL BEARING (C)
76	E26-4501	ANTI-REVERSE CLAW SPRING (C)
77	E39-5302	DRIVE GEAR
78	371-2800	WASHER (L)
79	B54-6001	BALL BEARING (D)
80	F88-0311	SIDE COVER
81	B00-9701	SCREW (J)
83	F88-4506	REAR COVER (A)
84	F88-4604	REAR COVER (B)
85	E24-8101	SCREW (K)
86	J12-9501	HANDLE ASSEMBLY
87	F40-9001	COLLAR (G)
88	L00-9113	HANDLE SCREW
89	G25-6401	WASHER (M)

EMBLEM PRO EX5500 SPECIAL PARTS

Key No.	Part No.	Parts Name
2-7	J13-0001	SPOOL ASSEMBLY