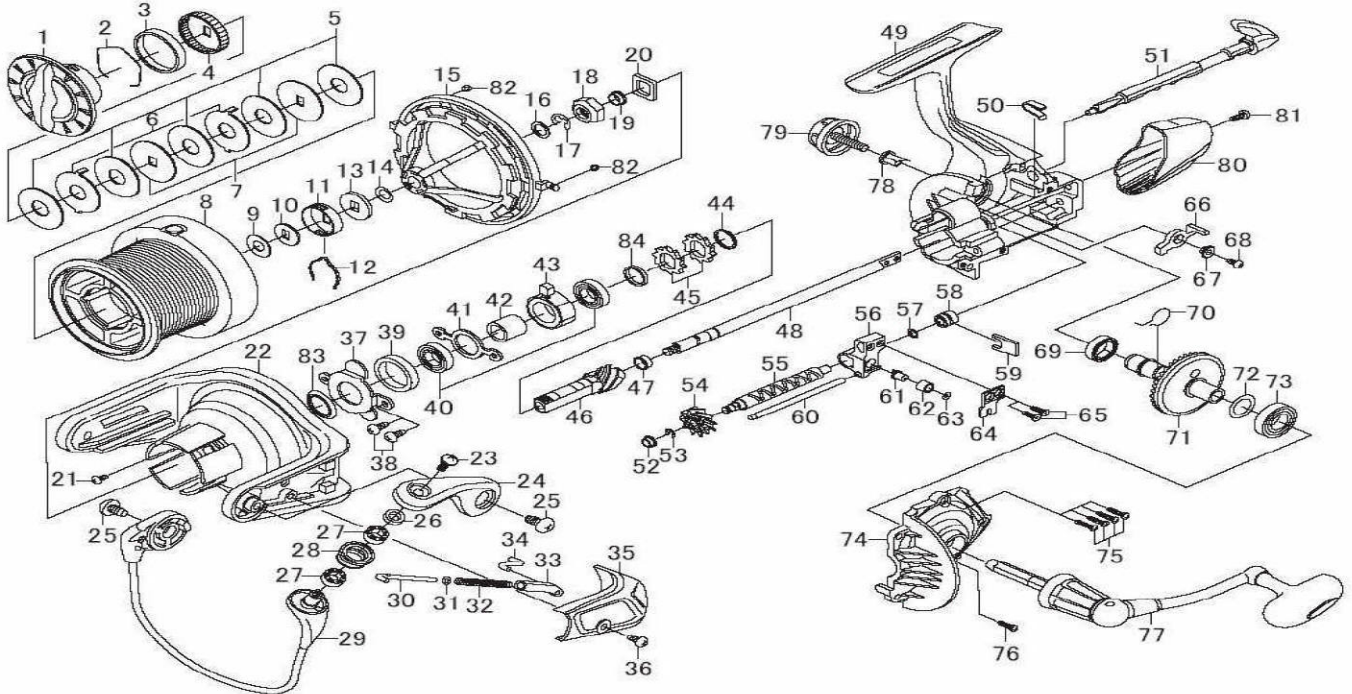




Please order by parts number, not key number
 Veuillez indiquer le numéro de la pièce.

SPINNING REEL **EMBLEM PRO 5000A/6000A**



Key No.	Parts No.	Parts Name	Key No.	Parts No.	Parts Name
1	H35-8401	Drag Knob	46	H40-8901	Pinion Gear
2	F88-4001	Drag Washer Retainer	47	G40-0401	Collar (F)
3	H49-6501	Collar (A)	48	H35-5901	Main Shaft
4	G42-1401	Drag Ratchet	49	H53-8501	Body
5	F75-5501	Drag Washer	50	H10-2301	Anti-Reverse Cam Spring
6	F75-5701	Eared Washer	51	H35-4501	Anti-Reverse Lever
7	F88-1702	Key Washer	52	H35-4701	Collar (G)
2-8	H53-7901	Spool Assembly	53	320-5901	Worm Shaft Retainer (A)
9	E39-9200	Washer (A)	54	H40-9001	Worm Shaft Gear
10	F04-3401	Washer (B)	55	H35-9901	Worm Shaft
11	H05-0601	Cap	56	H35-5601	Oscillating Slider
12	B74-7701	Spool Click Leaf Spring	57	B41-1700	Washer (G)
13	E26-7501	Washer (C)	58	H35-4801	Collar (H)
14	G87-8201	Spring Washer	59	H35-5001	Worm Shaft Retainer (B)
15	H35-7501	Line Guard	60	H35-4901	Stabilizer Bar
16	G40-8301	Washer (D)	61	H35-5701	Oscillating Pawl
17	320-1611	Retainer	62	H35-5801	Collar (I)
18	H05-0001	Rotor Nut	63	375-0800	Washer (H)
19	H35-7401	Collar (B)	64	H35-6001	Oscillating Slider Cover
20	G39-2201	Plate	65	352-1505	Screw (F)
21	G17-1402	Screw (A)	66	H35-4301	Anti-Reverse Pawl
22	H35-6607	Rotor	67	H35-4401	Collar (J)
23	E45-4007	Screw (B)	68	B00-8601	Screw (G)
24	H35-6901	Ball Arm	69	G15-6803	Ball Bearing (B)
25	G45-5601	Screw (C)	70	H35-6201	Anti-Reverse Pawl Spring
26	H04-9901	Collar (C)	71	H40-8701	Drive Gear
27	H19-4701	Collar (D)	72	B27-0700	Washer (I)
28	G74-0402	Line Roller	73	G47-2501	Ball Bearing (C)
29	H35-7101	Bail Assembly	74	H56-5701	Side Cover
30	H10-5602	Bail Spring Shaft	75	G41-0701	Screw (H)
31	E31-3901	Washer (E)	76	B00-8601	Screw (I)
32	H10-5801	Bail Spring	77	H35-7601	Handle Assembly
33	H35-6801	Bail Spring Holder	78	F40-9001	Collar (K)
34	H35-6701	Shaft	79	H47-7501	Handle Screw
35	H35-7001	Cover	80	H35-6501	Rear Cover
36	G20-5101	Screw (D)	81	E36-4202	Screw (J)
37	H35-5501	Bearing Retainer	82	B85-3101	O" Ring
38	L00-1801	Screw (E)	83	H44-6101	Packing
39	H35-5401	Collar (E)	84	G17-6802	Collar (L)
40	B54-6002	Bail Bearing (A)	2-8	H53-7901	Spool Assembly (Extra Spool)
41	H35-5301	Clutch Cam Retainer			
42	H35-5201	Spacing Sleeve			
43	G84-5601	Roller Clutch			
44	E33-9701	Washer (F)			
45	G17-6702	Ratchet			

EMBLEM PRO 6000A Special Parts		
Key No.	Parts No.	Parts Name
2-8	H53-8201	Spool Assembly
2-8	H53-8201	Spool Assembly (Extra Spool)