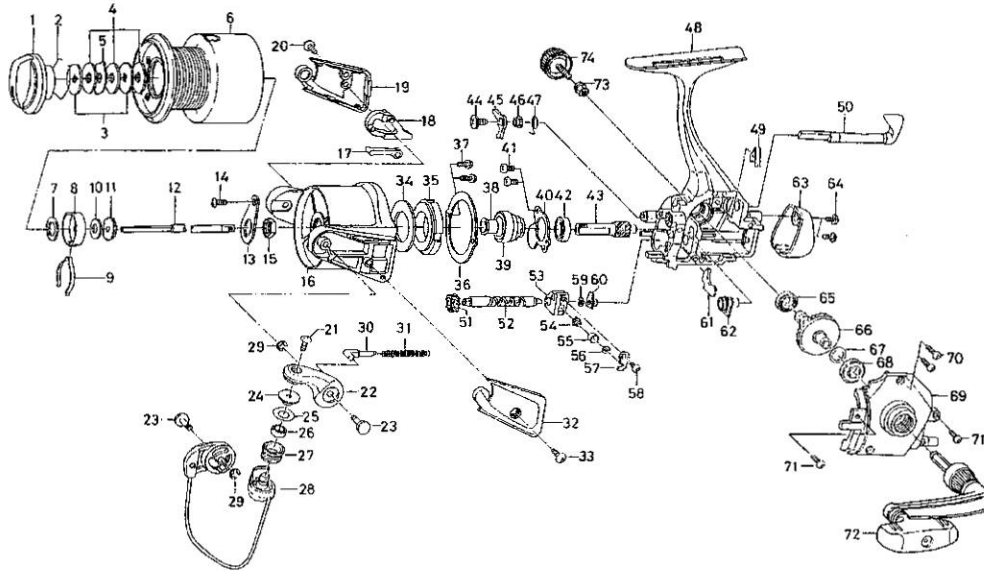


# EMBLEM-S3500iA / 4000iA



Key No.	Parts No.	Parts Name
2-6	F66-3201	SPOOL
2-6	F70-1401	SPOOL (EXTRA)
1	F20-4609	DRAG KNOB
2	170-4101	DRAG WASHER RET
3	E27-7801	KEY WASHER
4	B36-0204	DRAG WASHER
5	372-3832	EARED WASHER
7	E39-7901	SPOOL WASHER
8	E12-2302	CLICK LEAF SPRING HOLDER
9	B74-7702	SPOOL CLICK LEAF SPRING
10	375-4201	MAIN SHAFT WASHER
11	E41-3101	CLICK GEAR
12	F18-5801	MAIN SHAFT
13	F18-9601	ROTOR NUT HOLD PLT
14	B93-3001	ROTOR NUT HOLD PLT SCREW
15	B10-5701	ROTOR NUT
16	F49-9906	ROTOR
17	F08-0702	BAIL TRIP PLT
18	F48-2301	BAIL TRIP LEVER
19	F50-0505	BAIL TRIP COVER
20	F38-5102	BAIL TRIP COVER SCREW
21	B67-9308	LINE ROLLER SCREW
22	F48-1905	BAIL ARM
23	F48-7501	BAIL ARM SCREW
24	F70-8101	LINE ROLLER COLLAR
25	F44-6202	LINE ROLLER WASHER
26	F05-5601	BALL BEARING A
27	F45-4902	LINE ROLLER
28	F52-5204	BAIL
29	320-5901	BAIL ARM SCREW RET
30	F24-6801	BAIL SPRING SHAFT
31	F36-2501	BAIL SPRING
32	F50-0205	BAIL SPRING COVER
33	E24-8101	BAIL SPRING COVER SCREW
34	F19-7302	OILED WASHER
35	F18-2901	ROLLER CLUTCH
36	F18-3001	ROLLER CLUTCH RET
37	E15-7502	ROLLER CLUTCH RET SCREW
38	F18-1301	SPACING SLEEVE
39	F18-1401	A/R RATCHET
40	F18-1201	BEARING RET
41	B83-4402	BEARING RET SCREW

Key No.	Parts No.	Parts Name
42	635-4801	BALL BEARING B
43	F18-1102	PINION GEAR
44	L00-1801	A/R PAWL SCREW
45	F18-1801	A/R PAWL
46	F18-1701	A/R PAWL COLLAR
47	F37-4501	A/R PAWL SPRING
48	F66-2501	BODY
49	E32-7801	A/R CAM SPRING
50	F18-1005	A/R LEVER
51	F30-7901	WORM SHAFT GEAR
52	F30-7802	WORM SHAFT
53	F37-6301	OSC SLIDER
54	E19-1203	OSC PAWL
55	E19-1301	OSC PAWL BUSH
56	375-0801	OSC PAWL WASHER
57	E37-6901	OSC SLIDER COVER
58	E40-1501	OSC SLIDER COVER SCREW
59	B53-6102	WORM SHAFT WASHER
60	F05-6901	WORM SHAFT COLLAR
61	F48-2801	SHIELD PLATE
62	E48-2701	PINION COLLAR
63	F66-2701	REAR COVER
64	E36-4202	REAR COVER SCREW
65	B86-1701	BALL BEARING C
66	F65-5001	DRIVE GEAR
67	373-7808	DRIVE GEAR WASHER
68	E15-4001	BALL BEARING D
69	F18-2310	SIDE COVER
70	E15-7502	SIDE COVER SCREW A
71	E15-8602	SIDE COVER SCREW B
72	F65-3901	HANDLE
73	F72-1201	HANDLE COLLAR
74	F42-5803	HANDLE LOCK SCREW

## EM-S4000iA

Key No.	Parts No.	Parts Name
2-6	F66-3601	SPOOL
2-6	F70-1601	SPOOL (EXTRA)
16	F50-0606	ROTOR
28	F52-6604	BAIL