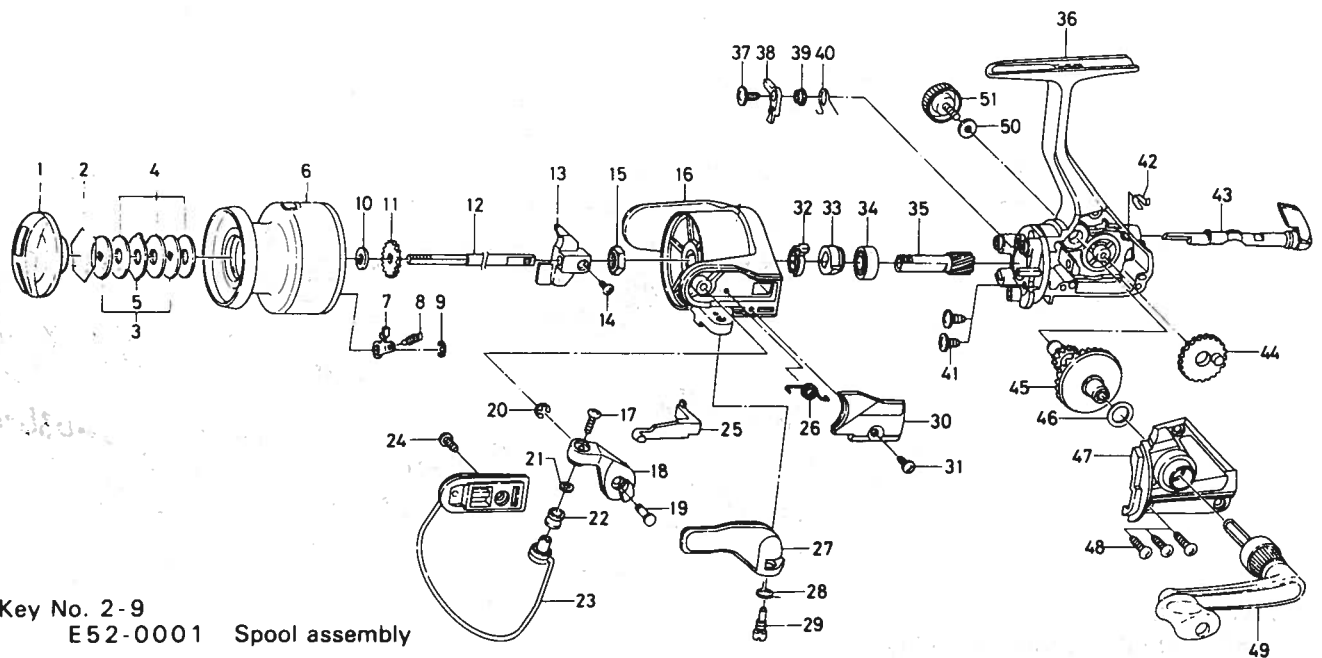


SPINNING REEL — EL705X



Key No.	Parts No.	Parts Name
1	E51-9702	Drag knob
2	171-7701	Drag washer retainer
3	E46-7201	Key washer
4	E13-6001	Drag washer
5	373-3603	Eared washer
6	E51-9901	Spool assembly
7	B07-5304	Click pawl
8	E40-3101	Click spring
9	320-5901	Click retainer
10	E46-7101	Spool washer
11	270-6501	Click gear
12	E49-8401	Main shaft
13	F12-2301	Oscillating slider
14	351-0311	Oscillating block screw
15	341-9201	Rotor nut
16	E50-0904	Rotor
17	B67-9305	Line roller screw
18	E49-6701	Bail arm
19	E49-3501	Bail arm screw
20	320-5901	Bail arm screw retainer
21	B55-4301	Line roller washer
22	L01-8201	Line roller
23	F17-0101	Bail assembly
24	L01-1701	Bail trip cam screw
25	E49-6401	Bail trip lever
26	E49-6801	Bail spring

Key No.	Parts No.	Parts Name
27	E37-3601	Trigger lever
28	E36-9901	Trigger spring
29	E37-0001	Trigger screw
30	E49-6301	Bail spring cover
31	E36-4201	Bail spring cover screw
32	F12-2101	Anti-reverse pawl spring A
33	E49-8501	Anti-reverse ratchet
34	634-1301	Ball bearing
35	F12-1601	Pinion gear
36	F17-0201	Body assembly
37	F12-5701	Anti-reverse pawl screw
38	F12-1901	Anti-reverse pawl
39	F12-3501	Anti-reverse pawl collar
40	F12-3401	Anti-reverse pawl spring B
41	E03-7801	Bearing retainer screw
42	F12-2001	Anti-reverse cam spring
43	F08-5116	Anti-reverse lever
44	F12-2201	Oscillating gear
45	F12-1501	Drive gear
46	375-8500	Drive gear washer
47	F19-9001	Side cover
48	E15-8601	Side cover screw
49	E49-7401	Handle assembly
50	F02-0202	Handle lock washer
51	B92-5005	Handle lock screw