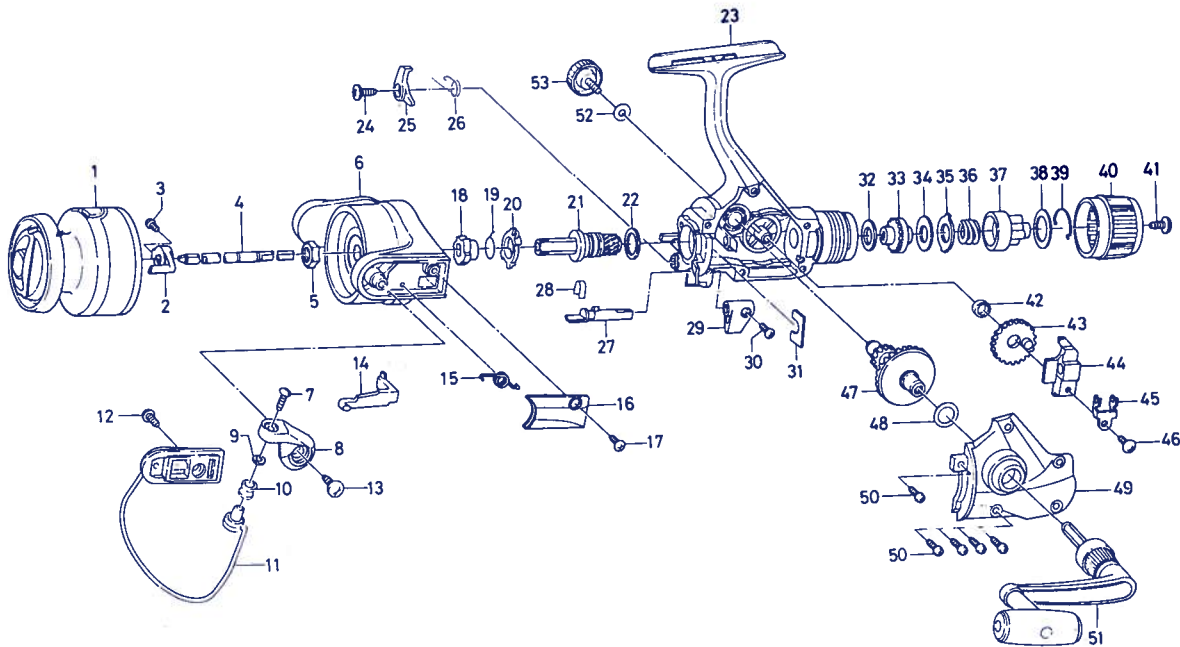


SPINNING REEL EG1650x/2050x



Key

No.	Parts No.	Parts Name
1	F20-3101	Spool assembly
2	F20-1602	Spool metal
3	351-1001	Spool metal screw
4	F20-0102	Main shaft
5	340-6602	Rotor nut
6	F20-1302	Rotor
7	B67-9304	Line roller screw
8	E45-1701	Bail arm
9	B55-4301	Line roller washer
10	L01-8201	Line roller
11	F20-3001	Bail assembly
12	L01-1701	Bail trip cam screw
13	E00-7101	Bail arm screw
14	E46-2101	Bail trip lever
15	F12-8901	Bail spring
16	E46-2201	Bail spring cover
17	E36-4201	Bail spring cover screw
18	F20-1201	Anti-reverse ratchet
19	F20-1101	Anti-reverse pawl spring A
20	F20-1001	Spring holder
21	E48-6201	Pinion gear
22	372-8601	Pinion washer
23	F20-2701	Body assembly
24	E00-7101	Anti-reverse pawl screw
25	F19-9901	Anti-reverse pawl
26	372-7603	Anti-reverse pawl spring B
27	F19-5101	Anti-reverse cam
28	F19-5201	Anti-reverse cam spring
29	F19-4901	Anti-reverse lever
30	B64-6601	Anti-reverse lever screw
31	632-6601	Pinion retainer

Key

No.	Parts No.	Parts Name
32	B46-9505	Drag washer A
33	B76-9801	Click gear
34	B78-6602	Drag washer B
35	B83-9501	Eared washer
36	F06-2301	Drag coil spring
37	F20-0501	Drag collar
38	L11-0101	Drag collar washer
39	L08-0701	Drag washer spring
40	F20-2901	Drag knob
41	E03-7802	Drag knob screw
42	F13-1601	Oscillating gear collar
43	E46-1501	Oscillating gear
44	F19-9201	Oscillating slider
45	F20-0201	Oscillating slider retainer
46	351-0901	Oscillating slider screw
47	E45-1302	Drive gear
48	373-7800	Drive gear washer
49	F20-2801	Side cover
50	E15-8602	Side cover screw
51	L01-1102	Handle assembly
52	B92-4902	Handle lock washer
53	B92-5001	Handle lock screw

EG2050X Special parts

No.	Parts No.	Parts Name
1	F20-3501	Spool assembly
6	F20-2402	Rotor
11	F20-3401	Bail assembly
14	E46-3101	Bail trip lever
23	F20-2702	Body assembly
49	F20-2802	Side cover