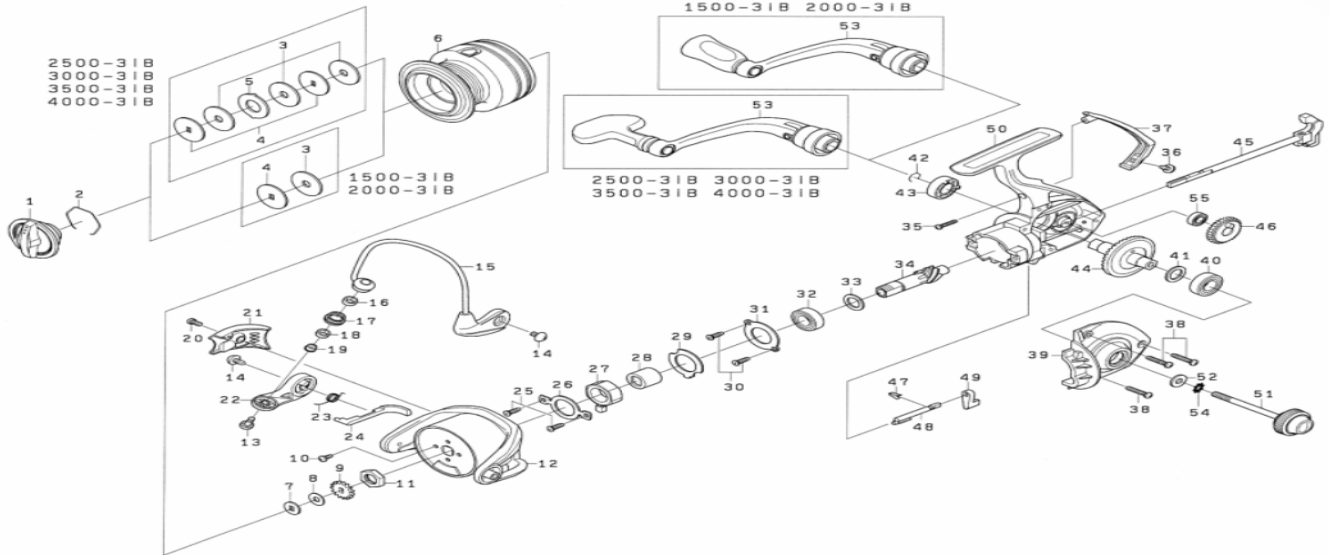


**SPINNING REEL CROSSFIRE 1500-3iB/2000-3iB/2500-3iB/3000-3iB/3500-3iB/4000-3iB**



Key No.	1500-3iB Parts No.	Parts Name	2000-3iB Parts No.	2500-3iB Parts No.	3000-3iB Parts No.	3500-3iB Parts No.	4000-3iB Parts No.
1	G89-2001	Drag Knob	G89-2001	G89-2001	G89-2001	G89-2001	G89-2001
2	F37-3301	Drag Washer Retainer	F37-3301	F37-3301	F37-3301	F37-3301	F37-3301
3	E13-6001	Drag Washer	E13-6001	E13-6001	E13-6001	E13-6001	E13-6001
4	E46-7201	Key Washer	E46-7201	E46-7201	E46-7201	E46-7201	E46-7201
5		Eared Washer	-	373-3605	373-3605	373-3605	373-3605
2-6	G94-3101	Spool Assembly	G94-3301	G94-3601	G94-3801	G94-4101	G94-4301
2-6	G98-2601	Spool Assembly (Extra Spool)	G98-2801	G98-3001	G98-3201	G98-3401	G98-3601
7	E46-7101	Washer(A)	E46-7101	E46-7101	E46-7101	E46-7101	E46-7101
8	E39-8000	Washer (B)	E39-8000	E39-8000	E39-8000	E39-8000	E39-8000
9	G83-9301	Click Gear	G83-9301	G83-9301	G83-9301	G83-9301	G83-9301
10	G62-7701	Screw(A)	G62-7701	G62-7701	G62-7701	G62-7701	G62-7701
11	G12-3301	Rotor Nut	G12-3301	G12-3301	G12-3301	G12-3301	G12-3301
12	G86-1103	Rotor	G86-1103	G84-1903	G84-1903	G84-4103	G84-4103
13	G19-5602	Screw (B)	G19-5602	G19-5602	G19-5602	G19-5602	G19-5602
14	G20-5001	Screw(C)	G20-5001	G20-5001	G20-5001	G20-5001	G20-5001
15	G89-0201	Bail Assembly	G89-0201	G89-2201	G89-2201	G90-6701	G90-6701
16	G87-4201	Collar (A)	G87-4201	G87-4201	G87-4201	G87-4201	G87-4201
17	F62-5002	Line Roller	F62-5002	F62-5002	F62-5002	F62-5002	F62-5002
18	G87-4301	Collar(B)	G87-4301	G87-4301	G87-4301	G87-4301	G87-4301
19	G15-2502	Collar(C)	G15-2502	G15-2502	G15-2502	G15-2502	G15-2502
20	G27-0801	Screw(D)	G27-0801	G27-0801	G27-0801	G27-0801	G27-0801
21	G86-1302	Cover(A)	G86-1302	G84-2102	G842102	G84-4302	G84-4302
22	G83-8801	Bail Arm	G83-8801	G83-8801	G83-8801	G83-8801	G83-8801
23	F77-7901	Bail Spring	F77-7901	F80-0701	F80-0701	F80-0701	F80-0701
24	G86-1201	Bail Trip Lever	G86-1201	G84-2001	G84-2001	G84-4201	G84-4201
25	G83-7101	Screw(E)	G83-7101	G83-7101	G83-7101	G83-7101	G83-7101
26	G83-7801	Clutch Cam Retainer	G83-7801	G83-7801	G83-7801	G83-7801	G83-7801
27	G96-3901	Roller Clutch	G96-3901	G96-3901	G96-3901	G84-5601	G84-5601
28	G83-5701	Spacing Sleeve	G83-5701	G83-5701	G83-5701	G83-5701	G83-5701
29	G83-7301	Washer (C)	G83-7301	G83-7301	G83-7301	G83-7301	G83-7301
30	G83-7101	Screw(F)	G83-7101	G83-7101	G83-7101	G83-7101	G83-7101
31	G83-7001	Bearing Retainer (A)	G83-7001	G83-7001	G83-7001	G83-7001	G83-7001
32	G83-6901	Ball Bearing (A)	G83-6901	G83-6901	G83-6901	G83-6901	G83-6901
33	373-7805	Washer (D)	373-7805	373-7805	373-7805	-	-
34	G92-3801	Pinion Gear	G92-3801	G90-8501	G90-8501	G92-4201	G92-4201
35	E11-9602	Screw(G)	E11-9602	E11-9602	E11-9602	E11-9602	E11-9602
36	G27-0801	Screw(H)	G27-0801	G27-0801	G27-0801	G27-0801	G27-0801
37	G86-1002	Rear Cover	G86-1002	G84-1802	G84-1802	G84-4002	G84-4002
38	G11-5001	Screw (I)	G11-5001	G11-5001	G11-5001	G11-5001	G11-5001
39	G86-0906	Side Cover	G86-0906	G84-1708	G84-1708	G84-3906	G84-3906
40	G83-6901	Ball Bearing (B)	G83-6901	G83-6901	G83-6901	G83-6901	G83-6901
41	373-7800	Washer(E)	373-7800	373-7800	373-7800	373-7800	373-7800
42	G52-5101	Bearing Retainer (B)	G52-5101	G52-5101	G52-5101	G52-5101	G52-5101
43	G88-9301	Collar (O)	G88-9301	G88-9301	G88-9301	G88-9301	G88-9301
44	G90-8601	Drive Gear	G90-8601	G90-8601	G90-8601	G92-4301	G92-4301
45	G86-0601	Main Shaft	G86-0601	G84-1401	G84-1401	G84-3501	G84-3501
46	G92-3501	Oscillating Gear	G92-3501	G90-8101	G90-8101	G92-3901	G92-3901
47	G83-6401	Anti-Reverse Cam Spring	G83-6401	G83-6401	G83-6401	G83-6401	G83-6401
48	G83-6201	Anti-Reverse Cam	G83-6201	G83-6201	G83-6201	G83-6201	G83-6201
49	G92-7001	Anti-Reverse Lever	G92-7001	G92-7001	G92-7001	G92-7001	G92-7001
50	G94-3001	Body	G94-3001	G94-3501	G94-3501	G94-4001	G94-4001
51	G83-9802	Handle Screw	G83-9802	G83-9802	G83-9802	G83-9804	G83-9804
52	G86-3901	Washer (F)	G86-3901	G86-3901	G86-3901	G86-3901	G86-3901
53	G92-8301	Handle Assembly	G92-8301	G92-8901	G92-8901	G92-9501	G92-9501
54	160-8101	Washer(G)	160-8101	160-8101	160-8101	160-8101	160-8101
55	G90-8001	Ball Bearing (C)	G90-8001	G90-8001	G90-8001	G90-8001	G90-8001