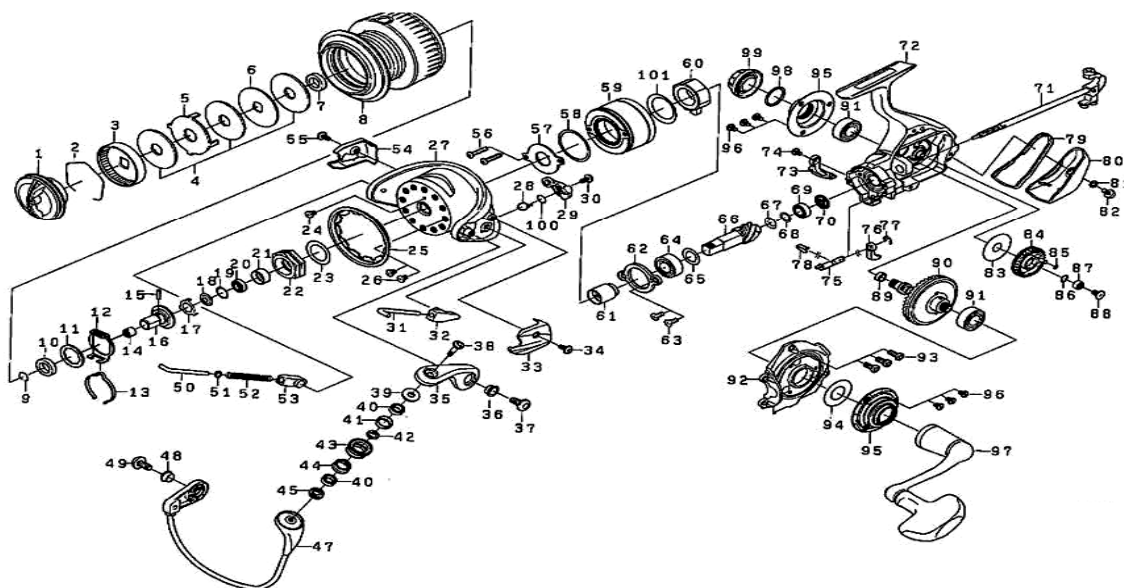


DAWA

SPINNING REEL

CERTATE 3012H

Please order by parts number, not key number
 Veuillez indiquer le numéro de la pièce (Non "Key" No.)



Key No.	Part No.	Part Name	Key No.	Part No.	Part Name
1	J17-3505	DRAG KNOB	52	G94-4501	SPRING
2	F71-0001	DRAG WASHER RE	53	G47-1602	BAIL SPRING HOLDER
3	F89-5304	DRAG KNOB CLICK PLT	54	J28-3901	SIDE COVER (B)
4	H80-6701	DRAG WASHER	55	J25-5201	BIAL SPRING COVER SCREW
5	F62-7301	EARED WASHER	56	H41-3201	SCREW
6	F62-7201	KEY WASHER	57	H53-2602	MAGNET HOLDER
7	H41-6301	DRAG COLLAR	58	H41-3001	O RING
8	J31-4901	SPOOL ASSEMBLY	59	H51-9309	COVER
9	G47-2401	BEARING RETAINER	60	H41-2601	ROLLER CLUTCH
10	H41-6301	DRAG COLLAR	61	H41-2501	SPACING SLEEVE
11	H80-6300	WASHER	62	H73-9101	BEARING RETAINER
12	H41-6001	CLICK HOLDER	63	E13-4501	SCREW
13	H41-6101	CLICK LEAF SPRING	64	G53-5105	BALL BEARING
14	J27-8101	SPOOL METAL NUT	65	H41-1401	WASHER
15	G37-5001	PIN	66+90	Z02-2659	PINION+DRIVE GEAR UNIT
16	J18-1401	SPOOL METAL	67	G57-2500	SPRING WASHER
17	G47-1501	BEARING RETAINER	68	375-5200	A/R CLAW WASHER
18	H46-1201	PACKING	69	G46-7101	BALL BEARING
19	375-5201	WASHER	70	H45-9401	COLLAR
20	J25-3202	BALL BEARING	71	J28-3201	MAIN SHAFT
21	J25-3101	COLLAR	72	J28-3101	BODY
22	J25-3001	ROTOR NUT	73	H41-2201	BAIL TRIP PLT
23	371-2824	WASHER	74	H45-5406	SCREW
24	H02-2701	LINE GUARD SCREW	75	H41-0001	A/R CAM
25	J28-4001	LINE GUARD RING	76	H41-0106	A/R LEVER
26	H02-2701	LINE GUARD SCREW	77	B33-9801	RETAINER
27	J28-3501	ROTOR	78	H41-0201	A/R CAM SPRING
28	H41-3601	BAIL TRIP LEVER SPRING	79	H47-2601	PACKING
29	J28-3601	BAIL TRIP LEVER	80	H47-2702	REAR COVER
30	H41-7701	SCREW	81	H35-2801	WASHER
31	J26-2601	SHAFT	82	H51-2401	SCREW
32	J26-2701	BAIL SPRING HOLDER	83	H54-5401	WASHER
33	J28-3701	SIDE COVER (A)	84	H45-8901	OSC GEAR
34	J25-5201	SCREW	85	G86-9601	O RING
35	J25-4801	BAIL ARM	86	G46-6100	GEAR WASHER
36	J25-4901	COLLAR	87	G46-6202	BALL BEARING
37	J25-5001	BAIL ARM SCREW	88	G94-0402	SCREW
38	J25-7001	SCREW	89	H45-9901	RING
39	J25-6801	MAGNETIC WASHER	91	J03-0301	BALL BEARING (MS)
40	J25-6701	BALL BEARING	92	H46-0106	SIDE COVER
41	J25-6401	COLLAR	93	H43-1001	SCREW
42	J25-6301	COLLAR	94	H41-2400	WASHER
43	J25-6501	LINE ROLLER	95	J27-6203	BODY COVER
44	J25-6201	COLLAR	96	H74-0302	SCREW
45	J25-6001	MAGNETIC WASHER	97	H89-0201	HANDLE ASSEMBLY
47	J26-3201	BAIL ASSEMBLY	98	G39-9702	O RING