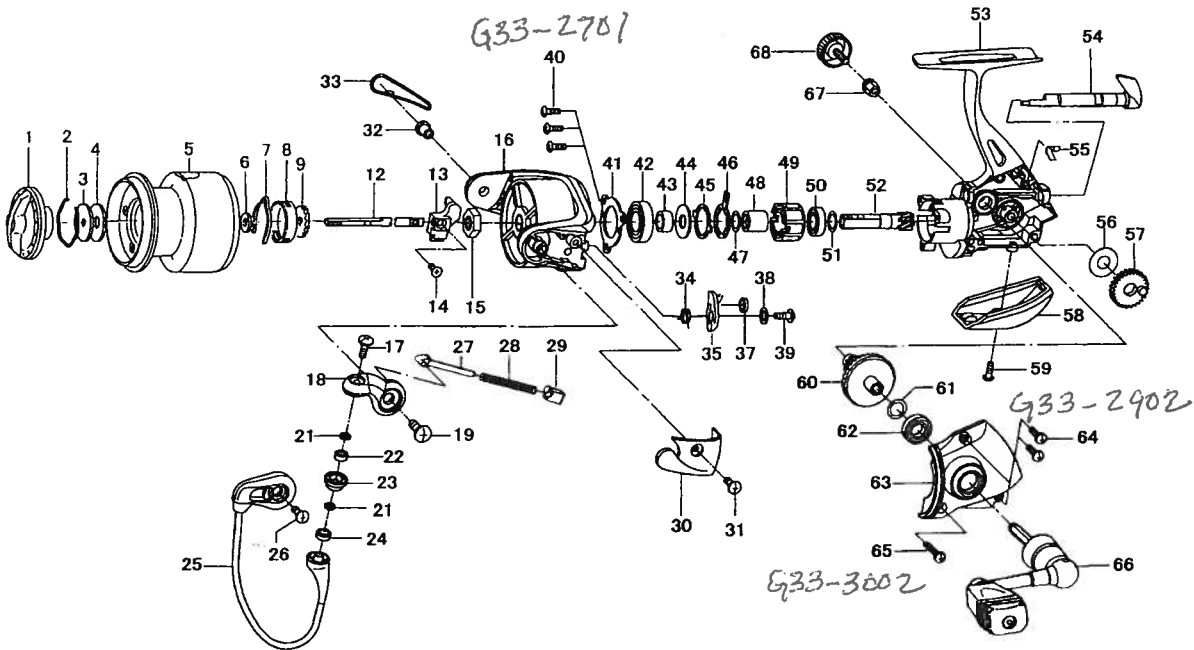


CAPRICORN 1500 / 2000



Key No.	Parts No.	Parts Name
1	G24-7401	DRAG KNOB
2	F37-3301	DRAG WASHER RET
3	E46-7201	KEY WASHER
4	E13-6001	DRAG WASHER
2-5	G24-7201	SPOOL
2-5	G27-5201	SPOOL (EXTRA)
6	E46-7101	SPOOL WASHER
7	F70-4901	SPOOL CLICK LEAF SPRING
8	E12-2308	CLICK LEAF SPRING HOLDER
9	F81-1501	CLICK GEAR
12	G29-1401	MAIN SHAFT
13	G06-1601	OSC SLIDER
14	351-0315	OSC SLIDER SCREW
15	F33-6102	ROTOR NUT
16	G20-6203	ROTOR
17	G19-5601	LINE ROLLER SCREW
18	G20-6401	BAIL ARM
19	G22-4901	BAIL ARM SCREW
21	F89-7101	LINE ROLLER WASHER
22	G02-0801	BALL BEARING A
23	F92-1601	LINE ROLLER
24	G04-7601	LINE ROLLER COLLAR
25	G20-6601	BAIL
26	351-6101	BAIL HOLDER SCREW
27	G01-7503	BAIL SPRING SHAFT
28	G06-2401	BAIL SPRING
29	G01-7401	BAIL SPRING HOLDER
30	G20-6501	BAIL SPRING COVER
31	G20-5101	BAIL SPRING COVER SCREW
32	G19-5101	BAIL HOLDER NUT
33	G20-6901	BAIL HOLDER COVER
34	G19-4101	BAIL TRIP LEVER SPRING
35	G26-5701	BAIL TRIP LEVER
37	G19-4301	BRAKE SHOE
38	G25-6401	BAIL TRIP LEVER WASHER

Key No.	Parts No.	Parts Name
39	G19-3701	BAIL TRIP LEVER SCREW
40	352-2501	BEARING RET SCREW
41	G19-3601	BEARING RET
42	637-6101	BALL BEARING B
43	G19-3501	BALL BEARING COLLAR
44	B27-5403	BALL BEARING WASHER
45	F62-2301	CLUTCH CAM RET
46	F62-2201	CLUTCH CAM
47	375-8502	CLUTCH CAM WASHER
48	F73-2501	SPACING SLEEVE
49	G22-0601	ROLLER CLUTCH
50	634-1301	BALL BEARING C
51	375-8504	PINION GEAR WASHER
52	G29-1101	PINION GEAR
53	G24-7001	BODY
54	G19-3102	A/R LEVER
55	G19-3301	A/R CAM SPRING
56	G11-4300	OSC GEAR WASHER
57	F69-1702	OSC GEAR
58	G20-6102	REAR COVER
59	F50-5701	REAR COVER SCREW
60	G06-1701	DRIVE GEAR
61	375-8500	DRIVE GEAR WASHER
62	634-1301	BALL BEARING D
63	G20-6003	SIDE COVER
64	351-1106	SIDE COVER SCREW A
65	G25-9101	SIDE COVER SCREW B
66	G24-7101	HANDLE
67	F72-1001	HANDLE COLLAR
68	F67-6503	HANDLE SCREW

CA2000 SPECIAL PARTS

Key No.	Parts No.	Parts Name
2-5	G24-7501	SPOOL
2-5	G27-5401	SPOOL (EXTRA)