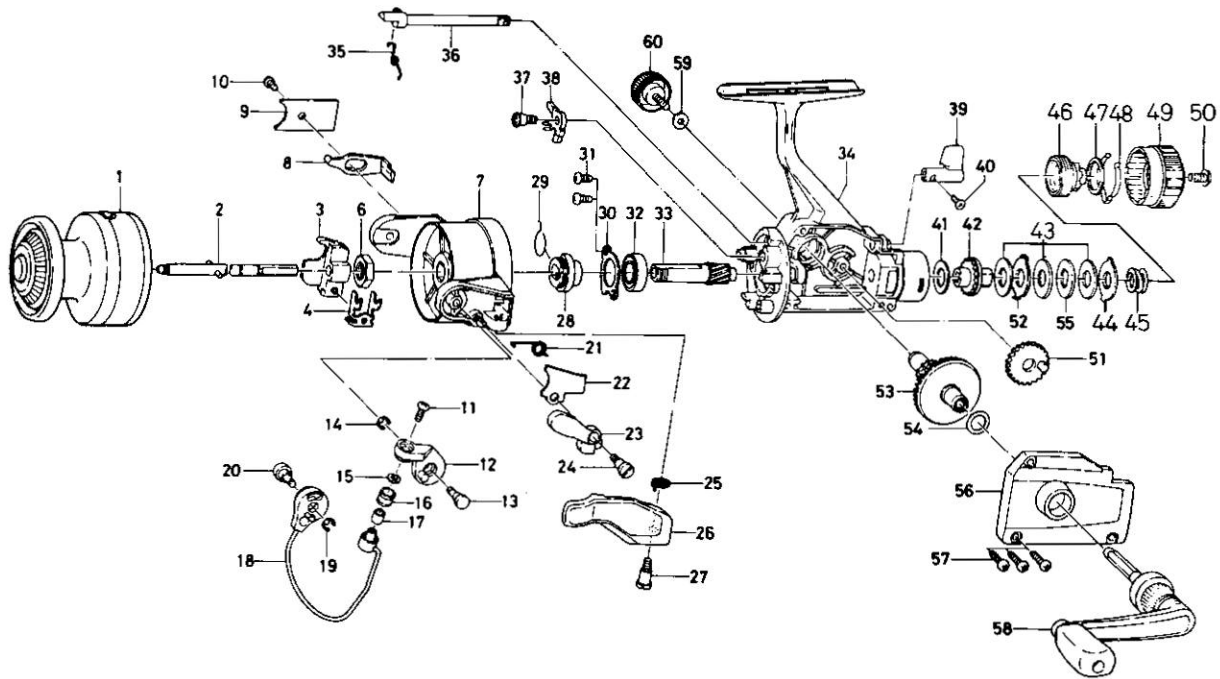


# SPINNING REEL — BW1355



Key No.	Part No.	Part Name
1	K10-6404	Spool
2	K02-4901	Main shaft
3	B97-9601	Oscillating slider
4	K02-5101	Oscillating slider retainer
6	B67-9401	Rotor nut
7	B81-8504	Rotor
8	B83-4301	Bail trip lever
9	B74-7301	Bail trip cover
10	B83-4402	Bail trip cover screw
11	B67-9302	Line roller screw
12	B67-4601	Bail arm
13	B83-3801	Bail arm screw
14	320-5901	Bail arm screw retainer
15	B55-4301	Line roller washer
16	250-3921	Line roller
17	B45-1501	Line roller bushing
18	K10-6702	Bail
19	320-5901	Bail trip cam screw retainer
20	B83-4202	Bail trip cam screw
21	K04-9701	Bail spring
22	B83-3902	Bail spring cover
23	B67-4901	Trigger plate
24	K03-7302	Bail spring cover screw
25	B67-5201	Trigger spring
26	B67-5107	Trigger lever
27	K03-7302	Trigger screw
28	K02-2901	Anti-reverse ratchet
29	K02-5401	Anti-reverse pawl spring
30	B45-6401	Bearing retainer
31	B83-4402	Bearing retainer screw

Key No.	Part No.	Part Name
32	634-1301	Ball bearing
33	E08-9502	Pinion gear
34	K09-7801	Body
35	B44-8501	Anti-reverse cam spring
36	B44-8401	Anti-reverse cam
37	K03-2801	Anti-reverse pawl screw
38	K02-2701	Anti-reverse pawl
39	E08-3701	Anti-reverse lever
40	B12-8201	Anti-reverse lever screw
41	B48-9902	Drag washer A
42	B83-3602	Click gear
43	B49-0202	Drag washer B
44	B49-0102	Eared washer A
45	B92-6703	Drag coil spring
46	B74-7603	Drag screw
47	B90-8201	Drag washer C
48	B74-7702	Drag washer spring
49	K04-8601	Drag knob
50	352-1105	Drag knob spring screw
51	B74-2501	Oscillating gear
52	B63-8301	Eared washer B
53	E08-9701	Drive gear
54	373-7808	Drive gear washer
55	B49-0301	Key washer
56	K09-8001	Side cover
57	B83-5002	Side cover screw
58	E00-1603	Handle
59	B92-4902	Handle lock washer
60	B92-5001	Handle lock screw