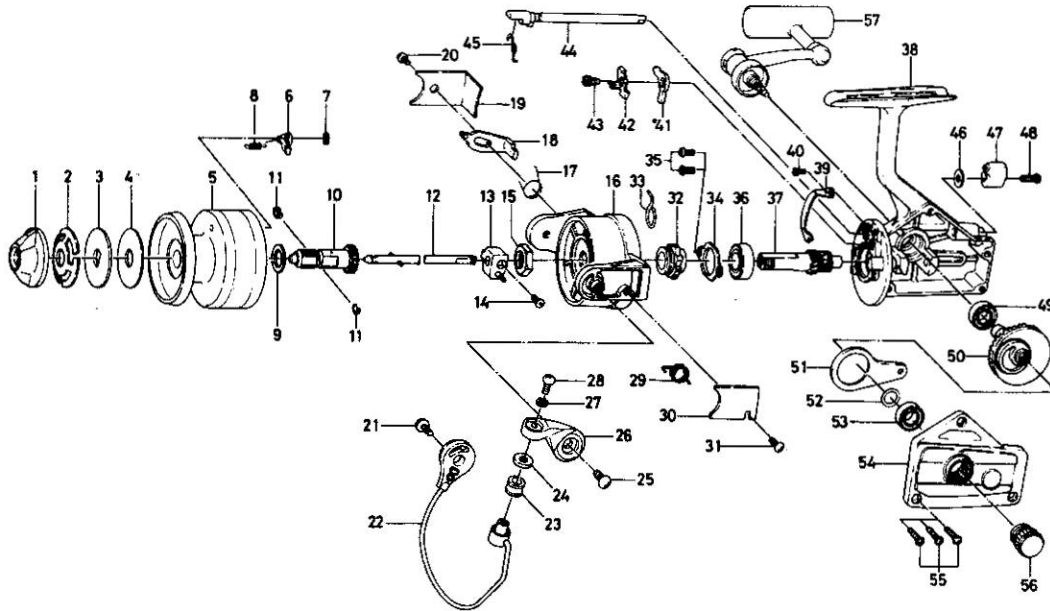


SPINNING REEL

BLACK GOLD BG-10



Key No.	Parts No.	Parts Name
1	441-5301	Drag knob
2	151-7301	Drag spring washer
3	375-6001	Drag D washer
4	375-5902	Disc washer
5	B32-1101	Spool
6	B07-5302	Spool click claw
7	320-5901	Spool click claw retainer
8	144-1211	Spool click claw spring
9	375-5701	Spool washer
10	720-1331	Spool metal
11	151-7211	Spool metal leaf spring
12	B33-5301	Main shaft
13	636-7602	Oscillating support
14	B12-8201	Oscillating slider screw
15	341-9201	Rotor nut
16	B31-8101	Rotor
17	B18-8001	Bail kick cam spring
18	B32-0901	Bail kick lever
19	B31-8401	Bail kick lever cover
20	352-0401	Bail kick lever cover screw
21	353-8201	Bail holder screw
22	B18-8302	Bail
23	250-3921	Line roller
24	501-1401	Roller collar
25	353-8201	Arm lever screw
26	B18-7801	Arm lever
27	375-1001	Bail washer
28	353-8201	Bail screw
29	B18-7701	Bail spring

Key No.	Parts No.	Parts Name
30	B31-8501	Bail spring cover
31	352-0401	Bail spring cover screw
32	280-8901	Ratchet
33	145-0501	Anti-reverse claw spring
34	321-0801	Ball bearing ret. washer
35	351-0901	Ball bearing ret. washer screw
36	636-6401	Ball bearing
37	403-0701	Pinion gear
38	B33-5501	Body
39	B32-0701	Cam kick plate
40	363-2911	Cam kick plate screw
41	111-8301	Anti-reverse claw
42	041-6801	Anti-reverse claw plate
43	363-8801	Anti-reverse claw screw
44	461-7302	Anti-reverse cam
45	145-2701	Anti-reverse cam spring
46	371-6903	Anti-reverse lever washer
47	541-6801	Anti-reverse lever
48	353-4401	Anti-reverse lever screw
49	637-5701	Ball bearing
50	413-8911	Drive gear
51	481-1801	Oscillating slider
52	375-8500	Drive gear washer
53	637-5701	Ball bearing
54	B33-5401	Body cover
55	353-0001	Body cover screw
56	B03-4802	Handle screw cap
57	B33-5901	Handle