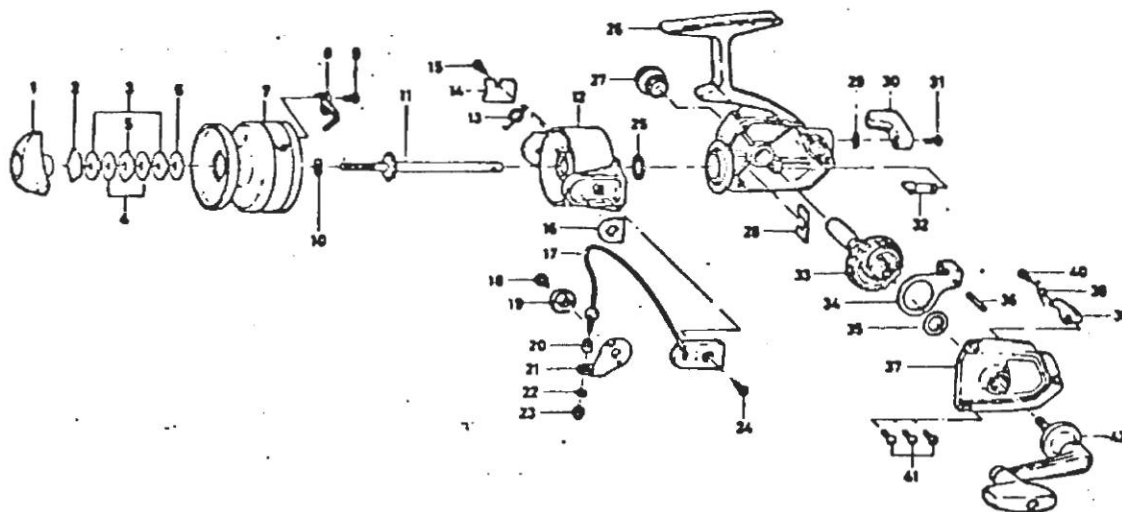


SPINNING REEL B-130RL



LINE CAPACITY: 200 YDS., 8 LB. TEST (185m. 3.6kg)

Key No. 2 ~ 9

6-731-5603 Spool assembly

Key No.	Parts No.	Parts Name	Key No.	Parts No.	Parts Name
1	6-740-2702	Drag knob	22	6-160-0121	Bail washer
2	6-170-4001	Drag washer retainer	23	6-341-0801	Bail nut
3	6-373-2502	Drag D washer	24	6-351-6601	Bail holder screw
4	6-374-2901	Disc washer	25	6-372-8600	Rotor washer
5	6-375-5301	Drag A washer	26	6-701-0801	Body
6	6-370-6901	Drag washer A	27	6-363-7401	Handle screw cap
7	6-731-5702	Spool	28	6-632-6601	Pinion retainer
8	6-030-4511	Spool click claw	29	6-150-1751	Anti-reverse lever washer
9	6-351-7701	Spool click claw screw	30	6-541-3311	Anti-reverse lever
10	6-374-9002	Spool washer	31	6-351-8301	Anti-reverse lever screw
11	6-711-3301	Main shaft	32	6-460-7041	Anti-reverse cam
12	6-736-1301	Rotor	33	6-413-8301	Drive gear
13	6-144-4901	Bail spring	34	6-481-2301	Oscillating slider
14	6-634-1501	Bail spring cover	35	6-371-2820	Drive gear washer
15	6-351-1801	Bail spring cover screw	36	6-121-1211	Oscillating slider pin
16	6-210-3701	Balancer	37	6-706-7401	Body cover
17	6-725-6201	Bail	38	6-111-4501	Anti-reverse claw
18	6-363-1901	Arm lever screw	39	6-144-2801	Anti-reverse claw spring
19	6-130-3201	Bail holder cap	40	6-351-7701	Anti-reverse claw screw
20	K-250-1901	Line roller	41	6-351-8501	Body cover screw
21	6-230-8812	Arm lever	42	6-747-1301	Handle