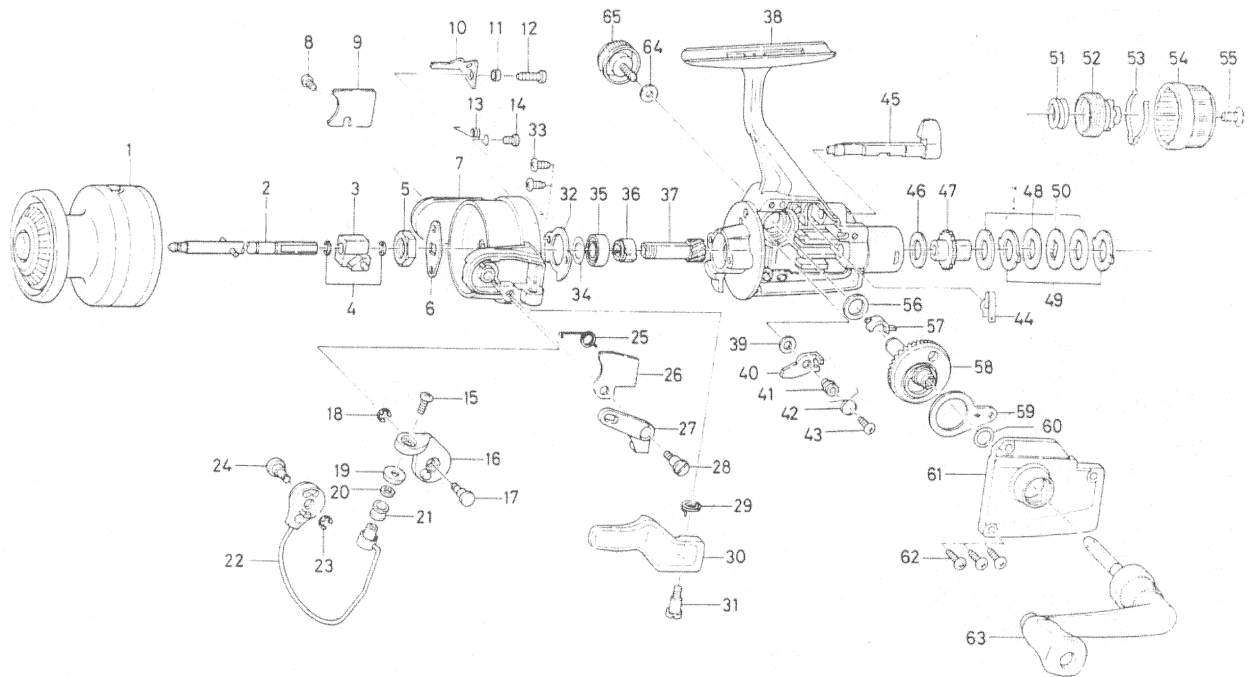


SPINNING REEL AG755B



Key No.	Parts No.	Parts Name
1	L90-0501	Spool assembly
2	E07-0101	Main shaft assembly
3	B98-6501	Oscillating slider
4	E04-0601	Oscillating slider retainer
5	342-4001	Rotor nut
6	E09-7601	Rotor nut holding plate
7	L90-0301	Rotor
8	B93-3001	Bail trip cover screw
9	E04-8402	Bail trip cover
10	B59-1003	Bail trip lever
11	E05-3201	Bail trip lever collar
12	B93-3001	Bail trip lever screw
13	B59-1201	Lever spring
14	B96-7601	Lever spring screw
15	352-2502	Line roller screw
16	E04-5902	Bail arm
17	E04-6001	Bail arm screw
18	320-5901	Bail arm retainer
19	B97-9801	Line roller collar
20	B55-4301	Line roller washer
21	250-3921	Line roller
22	L90-1101	Bail
23	320-5901	Bail trip cam retainer
24	E04-8602	Bail trip cam screw
25	L90-0601	Bail spring
26	L90-0401	Bail spring cover
27	E04-6202	Trigger plate
28	E04-6301	Bail spring cover screw
29	B67-5201	Trigger spring
30	E04-6401	Trigger lever
31	E04-6301	Trigger screw
32	E15-0701	Bearing retainer
33	B93-3001	Bearing retainer screw

Key No.	Parts No.	Parts Name
34	B12-8701	Bearing washer
35	B18-1601	Ball bearing
36	E04-5601	Anti-reverse ratchet
37	E03-6101	Pinion gear
38	L90-0101	Body
39	E15-3101	Anti-reverse pawl washer
40	E03-2901	Anti-reverse pawl
41	E03-3001	Anti-reverse pawl collar
42	B95-9601	Anti-reverse pawl spring
43	E02-7401	Anti-reverse pawl screw
44	B58-8601	Anti-reverse lever spring
45	E03-2803	Anti-reverse lever
46	B58-9106	Drag washer A
47	E03-5101	Click gear
48	B58-9602	Drag washer B
49	B58-9501	Eared washer
50	B58-9701	Key washer
51	B58-9801	Drag coil spring
52	E03-3101	Drag screw
53	E03-3201	Drag washer spring
54	L90-0701	Drag knob
55	353-8203	Drag knob screw
56	E03-4501	Drive gear washer A
57	B96-0801	Drive gear collar
58	E03-6301	Drive gear
59	481-1331	Oscillating slider
60	375-8500	Drive gear washer B
61	L90-0801	Side cover
62	B83-5002	Side cover screw
63	L90-1201	Handle assembly
64	B92-4901	Handle lock washer
65	E03-5501	Handle lock screw