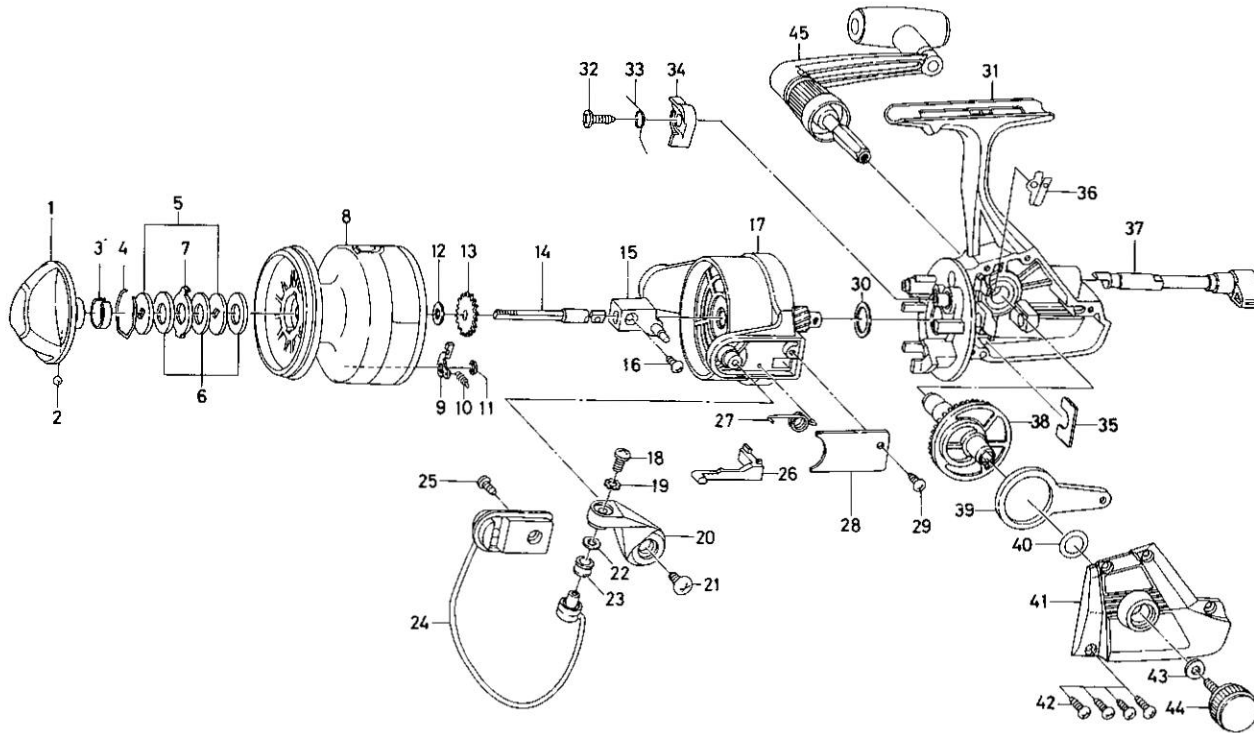


## SPINNING REEL — AG7000X



Key No. 4-11  
L12-5401 Spool assembly

Key No.	Part No.	Part Name
1	L10-8601	Drag knob
2	635-4701	Click ball
3	B32-8701	Click leaf spring
4	171-7701	Drag washer retainer
5	L03-1301	Key washer
6	375-7802	Drag washer
7	B89-9501	Eared washer
8	L12-5501	Spool assembly
9	B07-8201	Click pawl
10	145-2101	Click spring
11	320-1402	Click retainer
12	L11-9101	Spool washer
13	L03-4101	Click gear
14	L12-0601	Main shaft
15	L00-7501	Oscillating block
16	351-8901	Oscillating block screw
17	L08-8801	Rotor assembly
18	353-9701	Line roller screw
19	160-8101	Lock washer
20	L06-7201	Bail arm
21	E00-7601	Bail arm screw
22	373-4501	Line roller washer
23	250-4221	Line roller

Key No.	Part No.	Part Name
24	L12-5001	Bail assembly
25	L01-1702	Bail trip cam screw
26	L08-9301	Bail trip lever
27	L06-7001	Bail spring
28	L08-9402	Bail spring cover
29	B83-4402	Bail spring cover screw
30	L07-3700	Rotor washer
31	L12-0501	Body assembly
32	L06-6501	Anti-reverse pawl screw
33	L06-6401	Anti-reverse pawl spring
34	L07-8601	Anti-reverse pawl
35	L07-0401	Pinion retainer
36	E01-1801	Anti-reverse cam spring
37	L06-6002	Anti-reverse lever
38	L00-7801	Drive gear
39	L00-7901	Oscillating slider
40	371-2821	Drive gear washer
41	L08-9903	Side cover
42	B83-5002	Side cover screw
43	L02-2301	Handle lock washer
44	L00-9102	Handle lock screw
45	L01-2901	Handle assembly