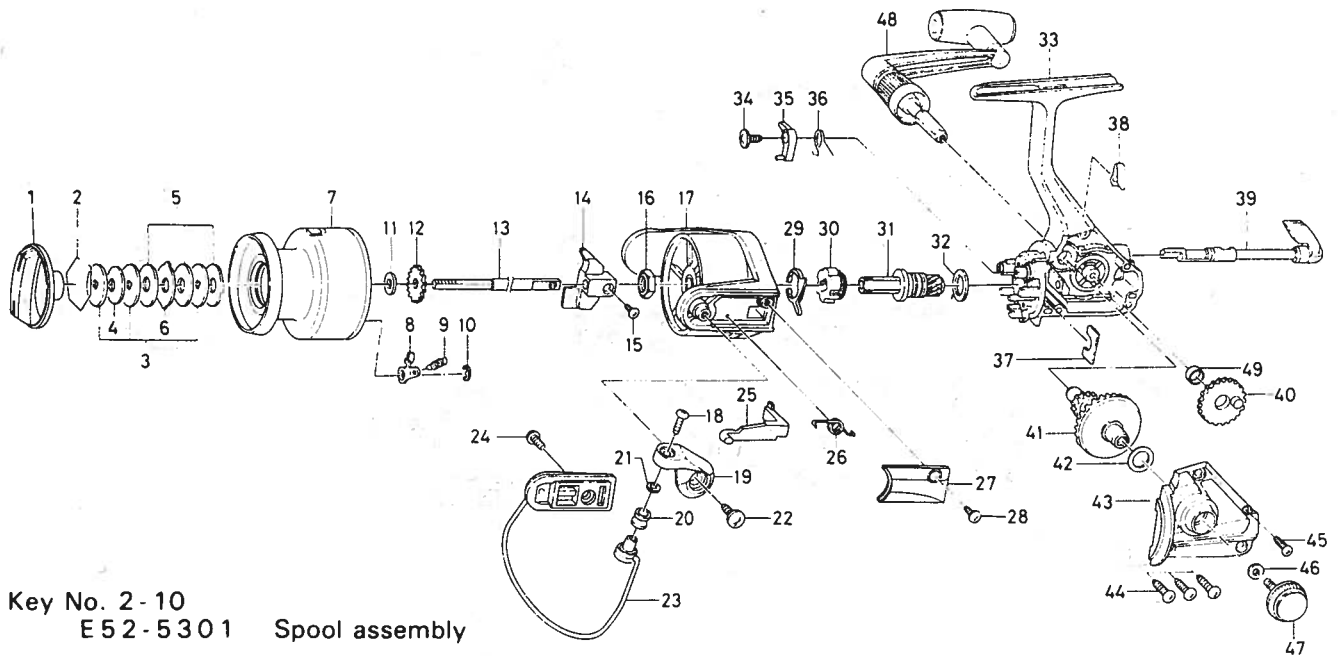


# SPINNING REEL – AG1600/2000



Key No. 2-10  
E 52-5301 Spool assembly

| Key No. | Parts No. | Parts Name                 |
|---------|-----------|----------------------------|
| 1       | E 41-9402 | Drag knob                  |
| 2       | 171-7701  | Drag washer retainer       |
| 3       | F09-4901  | Key washer                 |
| 4       | 151-6101  | Drag spring washer         |
| 5       | E 13-6003 | Drag washer                |
| 6       | 373-3603  | Eared washer               |
| 7       | E52-5401  | Spool assembly             |
| 8       | B07-5304  | Click pawl                 |
| 9       | E40-3101  | Click spring               |
| 10      | 320-5901  | Click retainer             |
| 11      | F09-4701  | Spool washer               |
| 12      | E46-2701  | Click gear                 |
| 13      | E46-1801  | Main shaft                 |
| 14      | F09-1301  | Oscillating slider         |
| 15      | 352-1502  | Oscillating block screw    |
| 16      | 340-6602  | Rotor nut                  |
| 17      | F10-6602  | Rotor                      |
| 18      | B67-9304  | Line roller screw          |
| 19      | E45-1701  | Bail arm                   |
| 20      | L01-8201  | Line roller                |
| 21      | B55-4301  | Line roller washer         |
| 22      | E00-7101  | Bail arm screw             |
| 23      | F10-6701  | Bail assembly              |
| 24      | L01-1702  | Bail trip cam screw        |
| 25      | E46-2101  | Bail trip lever            |
| 26      | F12-8901  | Bail spring                |
| 27      | E46-2201  | Bail spring cover          |
| 28      | E36-4202  | Bail spring cover screw    |
| 29      | E46-2001  | Anti-reverse pawl spring A |
| 30      | E46-1901  | Anti-reverse ratchet       |

| Key No. | Parts No. | Parts Name                 |
|---------|-----------|----------------------------|
| 31      | E48-6201  | Pinion gear                |
| 32      | 372-8600  | Pinion washer              |
| 33      | F20-3801  | Body assembly              |
| 34      | E00-7101  | Anti-reverse pawl screw    |
| 35      | E46-1302  | Anti-reverse pawl          |
| 36      | E46-1201  | Anti-reverse pawl spring B |
| 37      | 632-6601  | Pinion retainer            |
| 38      | E32-7801  | Anti-reverse cam spring    |
| 39      | F08-5109  | Anti-reverse lever         |
| 40      | E46-1501  | Oscillating gear           |
| 41      | E46-1701  | Drive gear                 |
| 42      | 373-7800  | Drive gear washer          |
| 43      | F20-3901  | Side cover                 |
| 44      | B83-5002  | Side cover screw A         |
| 45      | E15-8602  | Side cover screw B         |
| 46      | B92-4902  | Handle lock washer         |
| 47      | B92-5001  | Handle lock screw          |
| 48      | L01-1102  | Handle assembly            |
| 49      | E13-1601  | Oscillating gear collar    |

## AG2000 Special Parts

|      |           |                 |
|------|-----------|-----------------|
| 2-10 | E 52-5501 | Spool assembly  |
| 7    | E 52-5601 | Spool assembly  |
| 17   | F10-7202  | Rotor           |
| 23   | F10-6801  | Bail assembly   |
| 25   | E46-3101  | Bail trip lever |
| 33   | F20-3802  | Body assembly   |
| 43   | F20-3902  | Side cover      |