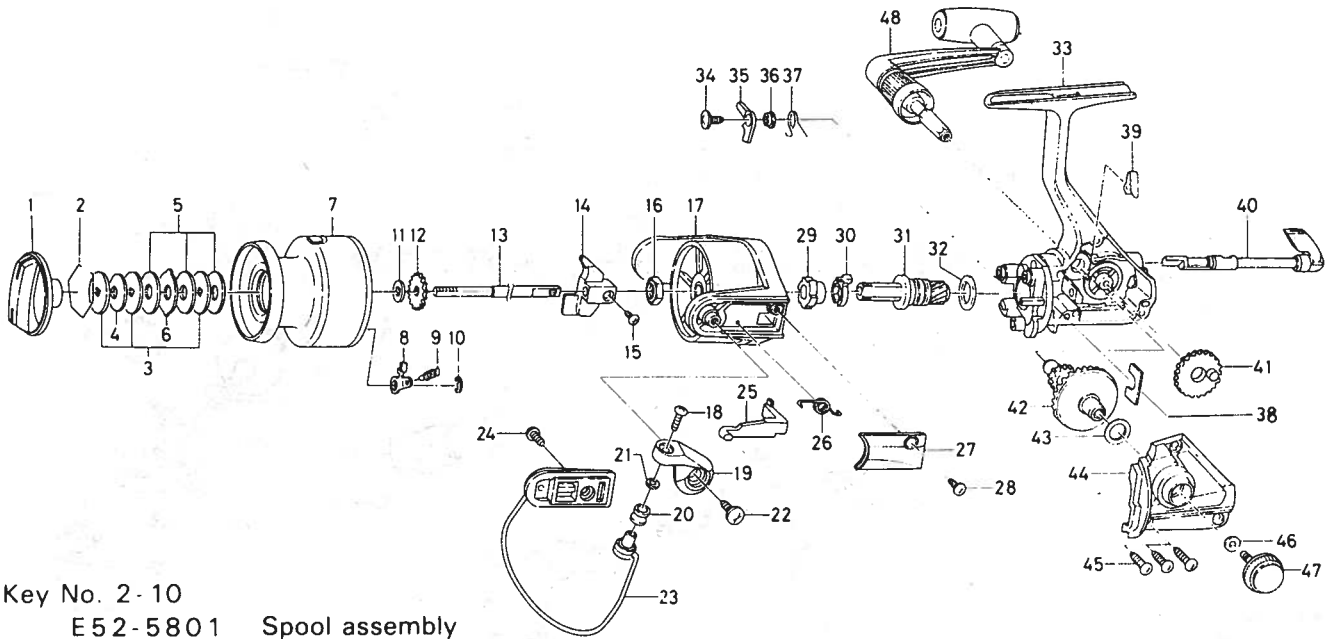


SPINNING REEL — AG1300



Key No. 2-10
E52-5801 Spool assembly

| Key No. | Parts No. | Parts Name | Key No. | Parts No. | Parts Name |
|---------|-----------|-------------------------|---------|-----------|----------------------------|
| 1 | F05-1001 | Drag knob | 25 | E45-1601 | Bail trip lever |
| 2 | 171-7701 | Drag washer retainer | 26 | F12-8901 | Bail spring |
| 3 | E46-7201 | Key washer | 27 | F08-8401 | Bail spring cover |
| 4 | F05-0901 | Drag spring washer | 28 | E36-4202 | Bail spring cover screw |
| 5 | E13-6003 | Drag washer | 29 | L01-4001 | Anti-reverse ratchet |
| 6 | 373-3603 | Eared washer | 30 | E38-5501 | Anti-reverse pawl spring A |
| 7 | E52-5701 | Spool assembly | 31 | E48-4601 | Pinion gear |
| 8 | B07-5304 | Click pawl | 32 | 372-7600 | Pinion washer |
| 9 | E40-3101 | Click spring | 33 | F20-3601 | Body assembly |
| 10 | 320-5901 | Click retainer | 34 | L00-1801 | Anti-reverse pawl screw |
| 11 | E46-7101 | Spool washer | 35 | L01-4401 | Anti-reverse pawl |
| 12 | 270-6501 | Click gear | 36 | L01-4302 | Anti-reverse pawl collar |
| 13 | E45-1501 | Main shaft | 37 | L00-1501 | Anti-reverse pawl spring B |
| 14 | E45-1401 | Oscillating slider | 38 | B60-3801 | Pinion retainer |
| 15 | 351-0315 | Oscillating block screw | 39 | E32-7801 | Anti-reverse cam spring |
| 16 | 341-9201 | Rotor nut | 40 | F08-5110 | Anti-reverse lever |
| 17 | F10-4202 | Rotor | 41 | E45-1301 | Oscillating gear |
| 18 | B67-9304 | Line roller screw | 42 | F08-4801 | Drive gear |
| 19 | E45-1701 | Bail arm | 43 | 373-7800 | Drive gear washer |
| 20 | L01-8201 | Line roller | 44 | F10-5704 | Side cover |
| 21 | B55-4301 | Line roller washer | 45 | B83-5002 | Side cover screw |
| 22 | E00-7101 | Bail arm screw | 46 | B92-4902 | Handle lock washer |
| 23 | E48-7201 | Bail assembly | 47 | B92-5001 | Handle lock screw |
| 24 | L01-1702 | Bail trip cam screw | 48 | E52-5201 | Handle assembly |