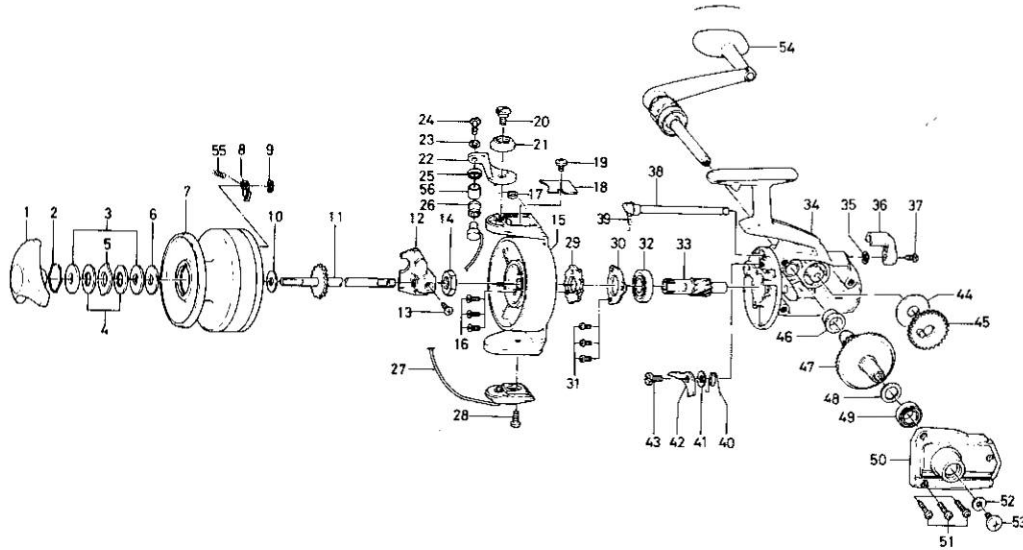


SPINNING REEL 4000C & 4000SC



KEY NO. 2 ~ 9

6-B18-0001

SPOOL ASSEMBLY

SPECIAL PARTS FOR 4000SC

6-280-7201

RATCHET

Key No.	Parts No.	Parts Name
1	000-8241	Drag knob
2	170-4511	Drag washer retainer
3	372-7812	Drag D washer
4	372-9011	Disc washer
5	375-5401	Drag A washer
6	372-7701	Drag washer A
7	B17-9801	Spool
8	B07-8201	Spool click claw
9	320-1402	Spool click claw retainer
10	376-1701	Spool washer
11	710-2214	Main shaft
12	480-7801	Oscillating slider
13	351-8901	Oscillating slider screw
14	340-8301	Rotor nut
15	201-2223	Rotor
16	352-0901	Ratchet screw
17	144-2201	Bail spring
18	633-0701	Bail spring cover
19	351-1801	Bail spring cover screw
20	363-1901	Arm lever screw
21	130-3201	Bail holder cap
22	231-1901	Arm lever
23	375-1101	Bail washer
24	363-3111	Bail screw
25	501-2001	Roller collar
26	250-4321	Line roller
27	725-1219	Bail
28	351-6401	Bail holder screw

Key No.	Parts No.	Parts Name
29	280-4101	Ratchet
30	634-7011	Ball bearing ret. washer
31	351-6601	Ball bearing ret. washer screw
32	635-5001	Ball bearing
33	401-6701	Pinion gear
34	700-1623	Body
35	373-2700	Anti-reverse lever washer
36	540-8321	Anti-reverse lever
37	352-2501	Anti-reverse lever screw
38	710-7901	Anti-reverse cam
39	142-3511	Anti-reverse cam spring
40	142-3421	Anti-reverse claw spring
41	373-2701	Anti-reverse claw washer
42	110-9701	Anti-reverse claw
43	362-4211	Anti-reverse claw screw
44	374-5401	Oscillating gear washer
45	412-3611	Oscillating gear
46	501-5201	Bearing metal
47	412-3503	Drive gear
48	371-2800	Drive gear washer
49	636-6011	Ball bearing
50	705-1618	Body cover
51	351-5901	Body cover screw
52	371-9521	Handle washer
53	351-3631	Handle screw
54	746-8702	Handle
55	145-2101	Spool click claw spring
56	502-1401	Roller metal