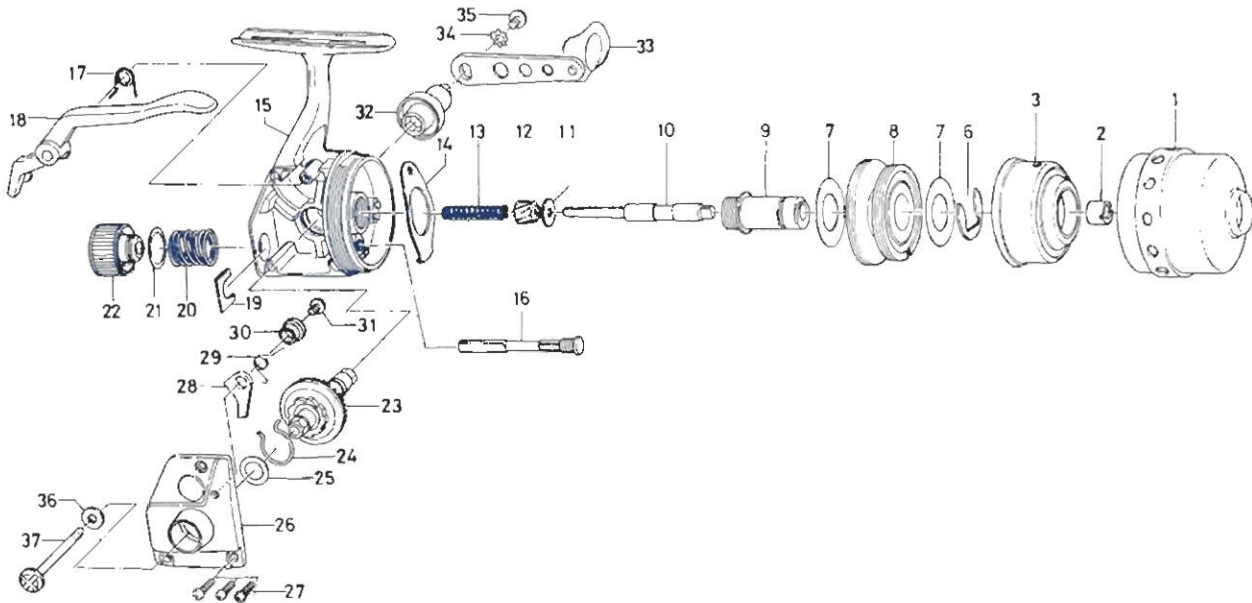


UNDER-SPINCAST REEL — US80XA



Key

No.	Part No.	Part Name
1	L10-1901	Front cover
2	342-4913	Rotor nut
3	L10-1801	Rotor assembly
6	320-0351	Spool retainer
7	370-0412	Spool washer
8	L10-2501	Spool assembly
9	381-7611	Shaft metal
10	B63-5601	Main shaft
11	370-0227	Pinion washer
12	402-6401	Pinion gear
13	142-7711	Main shaft spring
14	B63-6001	Drag adjusting plate
15	L10-0901	Body assembly
16	B63-5102	Drag adjusting screw
17	L09-2601	Casting trigger spring
18	L10-1101	Casting trigger
19	B60-3401	Drag knob retainer
20	B64-3501	Drag washer spring

Key

No.	Part No.	Part Name
21	B64-3401	Drag knob washer
22	B63-5203	Drag knob
23	B63-5702	Drive gear
24	L10-1201	Anti-reverse pawl spring A
25	373-7808	Drive gear washer
26	L10-1301	Side cover
27	B00-9702	Side cover screw
28	L10-1501	Anti-reverse pawl
29	L09-3201	Anti-reverse pawl spring B
30	L09-3801	Anti-reverse pawl collar
31	E36-4202	Anti-reverse pawl screw
32	B62-4602	Handle stand
33	B63-6301	Handle assembly
34	160-8001	Handle lock washer A
35	353-8203	Handle lock screw A
36	372-3501	Handle lock washer B
37	L10-1701	Handle lock screw B