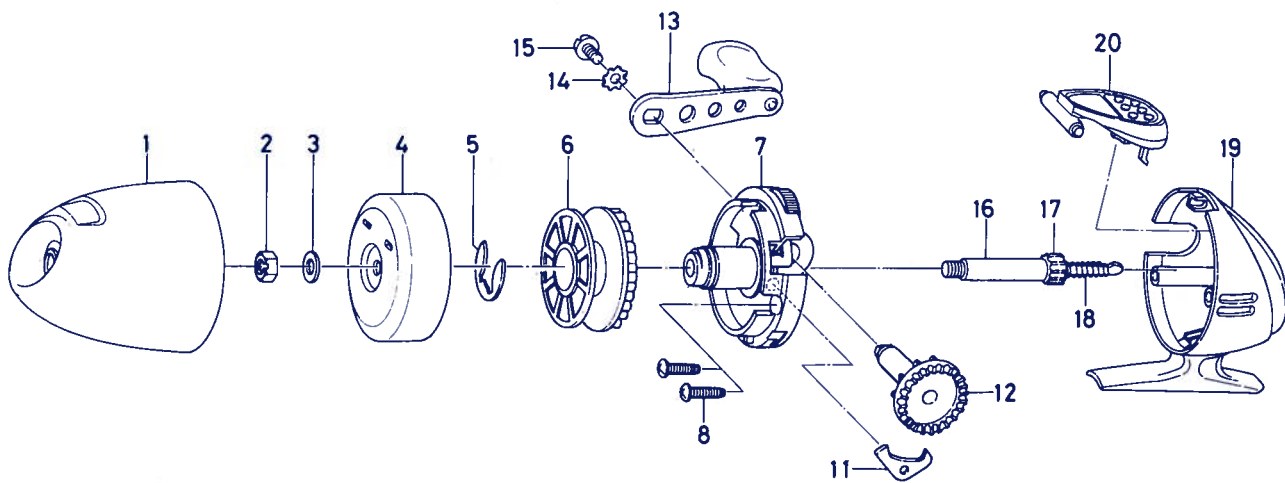


# SPINCASTING REEL 210X



Key NO.	Parts No.	Parts Name	Key NO.	Parts No.	Parts Name
1	F22-3801	Front cover	13	F28-1701	Handle assembly
2	L90-4201	Rotor nut	14	160-8001	Handle lock washer
3	L90-4301	Rotor nut washer	15	353-8202	Handle lock screw
4	B94-7301	Rotor	16	B94-4501	Main shaft
5	320-0351	Spool retainer	17	B94-4601	Pinion gear
6	B94-5301	Spool	18	144-0701	Main shaft spring
7	F28-1801	Set plate	19	F22-3201	Body
8	E24-7402	Set plate screw	20	F22-3601	Push button
11	770-0501	Anti-reverse pawl			
12	B94-5101	Drive gear			