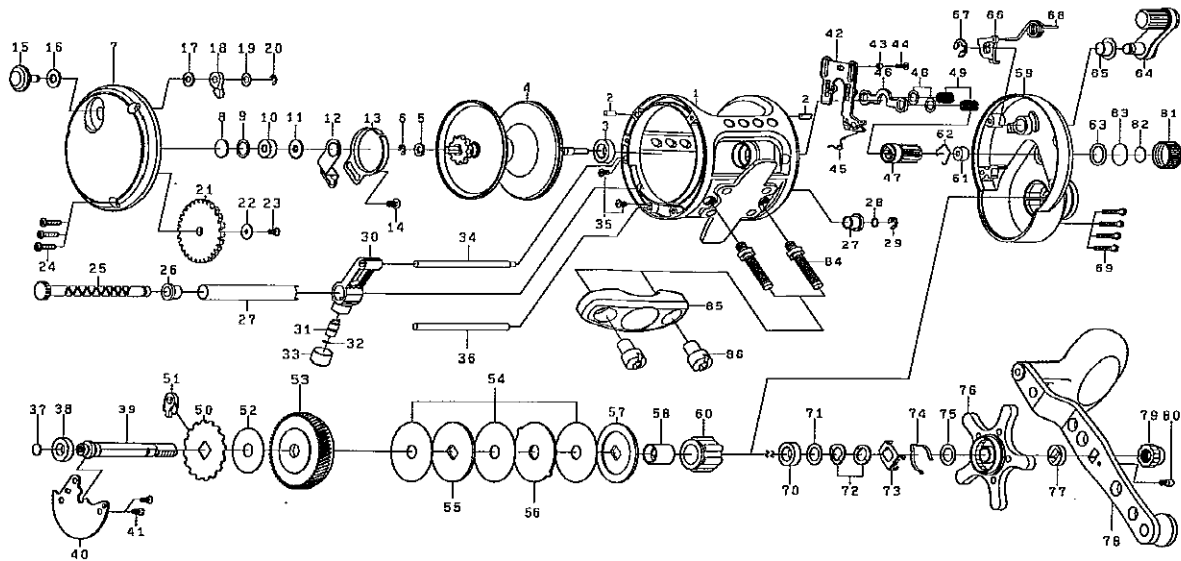


Please order by parts number, not key number
 Veuillez indiquer le numéro de la pièce (Non "Key" No.)



CONVENTIONAL REEL

SALTIST LW20H-C LW30H-C



Key No.	Part No.	Part Name
1	E67-4301	FRAME ASSEMBLY
2	G21-1701	PIN
3	G42-7201	BALL BEARING (A)
4	E67-4401	SPOOL ASSEMBLY
5	E62-8201	SPOOL GEAR
6	320-1402	SPOOL GEAR RETAINER
7	E63-5102	LEFT SIDE PLATE
8	G21-2401	BEARING WASHER (B)
9	F95-6702	BEARING WASHER (C)
10	G42-7701	BALL BEARING (B)
11	E61-0501	BEARING WASHER (D)
12	E63-5201	CLICK SPRING RETAINER
13	E62-4601	CLICK SPRING
14	351-7701	CLICK SPRING SCREW
15	E63-5301	CLICK BUTTON
16	E65-6201	CLICK BUTTON WASHER (A)
17	E61-7402	CLICK BUTTON WASHER (B)
18	E62-4801	CLICK PAWL
19	373-1600	CLICK BUTTON WASHER (C)
20	320-1402	CLICK PAWL RETAINER
21	E63-5401	IDLE GEAR
22	375-3005	IDLE GEAR WASHER
23	E45-4003	IDLE GEAR SCREW
24	E62-7202	LEFT SIDE PLATE SCREW
25	E63-5501	WORM SHAFT ASSEMBLY
26	E57-3601	WORM SHAFT BUSH
27	E63-5701	LEVEL WIND GUARD
28	E62-9301	WORM SHAFT WASHER
29	320-1402	WORM SHAFT RETAINER
30	E57-3101	LINE GUIDE ASSEMBLY
31	E57-4001	LINE GUIDE PAWL
32	F95-0200	LINE GUIDE WASHER
33	E57-4101	PAWL CAP
34	E63-5801	STABILZER BAR(A)
35	352-0601	STABILZER BAR SCREW
36	E63-5901	STABILZER BAR(B)
37	F73-3501	STABILZER BAR SCREW
38	G27-9601	BALL BEARING (C)
39	E63-6001	DRIVE SHAFT
40	E62-2601	DRIVE SHAFT RETAINER
41	G21-2901	DRIVE SHAFT RETAINER SCREW
42	E63-5701	YOKE PLATE
43	E65-1201	COLLAR(A)
44	353-4401	SCREW
45	E65-1401	SPRING
46	E62-4901	YOKE
47	E62-2801	PINION GEAR
48	E61-5101	YOKE WASHER

Key No.	Part No.	Part Name
49	F93-5201	YOKE SPRING
50	E65-1501	ANTI-REVERSE RATCHET
51	E48-9001	ANTI-REVERSE PAWL
52	E62-5101	DRAG WASHER (B)
53	E62-2901	DRIVE GEAR
54	E62-3002	DRAG WASHER
55	E62-3101	KEY WASHER (A)
56	E62-3201	EARED WASHER
57	E62-7301	KEY WASHER (B)
58	E61-0701	COLLAR
59	E67-4701	RIGHT SIDE PLATE
60	E63-3301	HANDLE METAL
61	E60-8801	BUSHING
62	F03-2201	BUSHING RETAINER
63	B05-5201	O RING
64	E67-4801	CLUTCH LEVER
65	E62-5401	CLUTCH LEVER COLLAR
66	E62-6701	CLUTCH CAM
67	320-7601	CLUTCH CAM RETAINER
68	E62-5501	CLUTCH CAM SPRING
69	E63-4301	RIGHT SIDE PLATE SCREW
70	G42-7201	BALL BEARING (D)
71	E60-8901	BEARING WASHER (E)
72	E25-3501	DRAG SPRING WASHER
73	G58-8601	CLICK LEAF SPRING HOLDER
74	F03-2401	CLICK LEAF SPRING
75	G69-4201	WASHER
76	E67-4901	STAR DRAG
77	E60-5101	SPACING SLEEVE
78	E67-5001	HANDLE ASSEMBLY
79	G22-0301	HANDLE NUT
80	G21-8201	HANDLE NUT SCREW
81	E61-0901	CAST CONTROL CAP
82	B17-5503	SPACER (A)
83	375-7501	SPACER (B)
84	E62-4501	CLAMP BOLT
85	E62-4401	ROD CLAMP
86	E62-6101	CLAMP NUT

SALTIST LW30H-C-SPECIAL PARTS

Key No.	Part No.	Part Name
1	E67-5301	FRAME ASSEMBLY
4	E67-5401	SPOOL ASSEMBLY
26	E63-7501	WORM SHAFT ASSEMBLY
28	E63-7701	LEVEL WIND GUARD
34	E67-5701	STABILZER BAR(A)
36	E63-7901	STABILZER BAR(B)
59	E67-5701	RIGHT SIDE PLATE