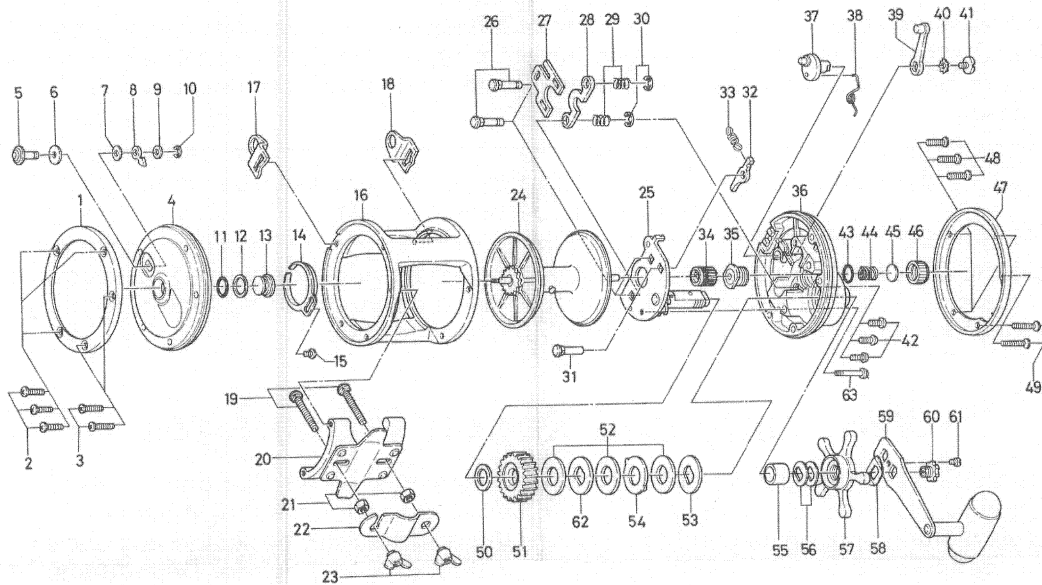




MULTIPLYING REEL

Sealine 450H Sealine 450HW



Key No.	Parts No.	Parts Name	Key No.	Parts No.	Parts Name
1	6-171-6101	L.S. ring	32	6-111-7401	Anti-reverse claw
2	6-353-5101	L.S. plate screw A	33	6-144-9511	Anti-reverse claw spring
3	6-353-6003	L.S. plate screw B	34	6-750-5901	Pinion gear
4	6-760-5707	L.S. plate	35	6-720-2321	Ball bearing metal
5	6-541-6311	Click button	36	6-814-6901	R.S. plate
6	6-375-9201	Click button washer	37	6-461-6701	Eccentric cam
7	6-375-9301	Click claw washer A	38	6-145-2501	Eccentric cam spring
8	6-030-6111	Click claw	39	6-782-5001	Clutch lever
9	6-373-2700	Click claw washer B	40	6-160-8001	Clutch lever lock washer
10	6-320-7601	Click claw retainer	41	6-363-5301	Clutch lever screw
11	6-171-1001	Friction ring	42	6-353-9701	Set plate screw
12	6-375-9802	Case metal washer	43	6-171-1001	Friction ring
13	6-720-2711	Case metal	44	6-145-3101	Spool adjusting spring
14	6-160-7801	Click spring	45	6-375-7501	Spool adjusting cap metal
15	6-352-2201	Click spring screw	46	6-382-0301	Spool adjusting cap
16	6-701-5804	Frame	47	6-171-6001	R.S. ring
17	6-041-4901	Harness lug	48	6-353-5101	R.S. plate screw A
18	6-041-4901	Harness lug	49	6-353-6003	R.S. plate screw B
19	6-353-9801	Rod clamp screw	50	6-375-2901	Drive gear washer
20	6-782-4903	Stand	51	6-413-9422	Drive gear
21	6-341-9701	Rod clamp nut	52	6-375-9402	Drag washer A
22	6-041-5601	Rod clamp	53	6-376-3001	Drag washer B
23	6-342-2111	Rod clamp wing nut	54	6-376-3101	Drag washer C
24A	6-734-3302	Spool for 450H	55	6-501-9221	Spacing sleeve
24B	6-B25-1501	Spool for 450HW	56	6-151-8701	Tension spring
25	6-782-5101	Set plate	57	6-782-5201	Star drag
26	6-051-5611	Set plate pin A	58	6-151-9701	Handle washer
27	6-041-6001	Eccentric jack	59	6-747-4112	Handle
28	6-041-5301	Pinion yoke	60	6-780-7502	Handle screw
29	6-144-8101	Clutch spring	61	6-353-2811	Handle lock screw
30	6-320-1611	Clutch spring retainer	62	6-376-3002	Drag washer B
31	6-051-5511	Set plate pin B	63	6-B15-9101	Set plate screw B