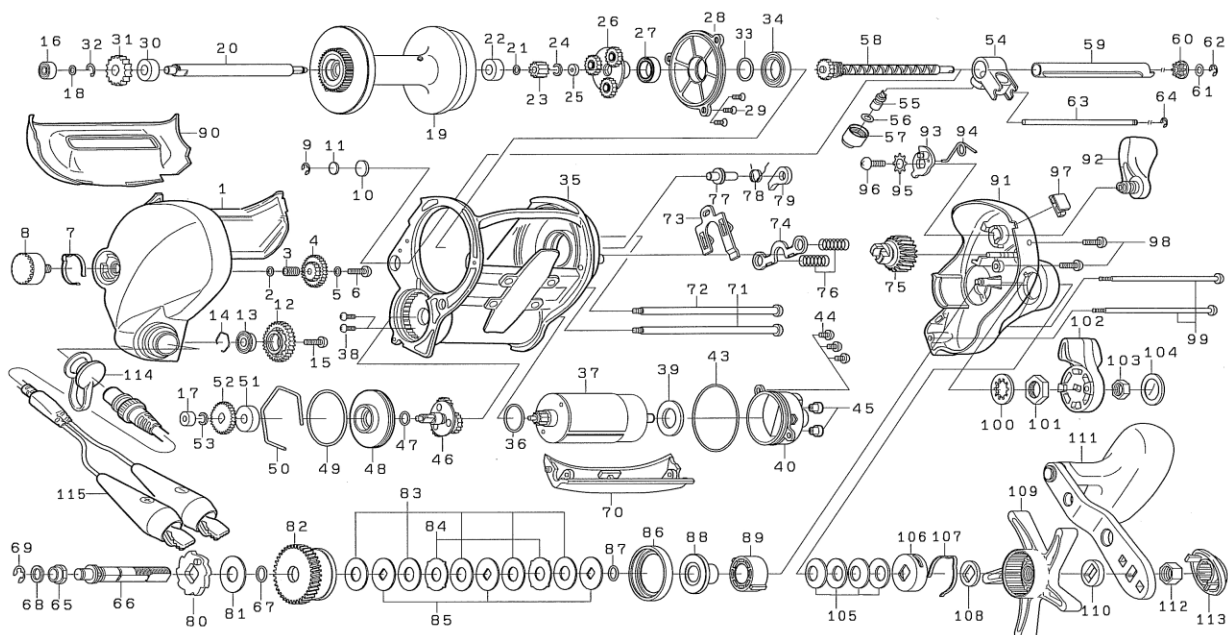


# TANACOM 750



Key No.	Part No.	Part Name	Key No.	Part No.	Part Name	Key No.	Part No.	Part Name
1	J10-3601	IC MODULE L/S PLATE	39	F70-1201	MOTOR WASHER	79	F59-7201	A/R PAWL
2	E09-6504	IDLE GEAR WASHER	40	F59-5101	MOTOR HOLDER	80	F59-7301	A/R RATCHET
3	H43-9801	IDLE GEAR A COLLAR	43	F59-5301	MOTOR HOLDER O-RING	81	374-6604	DRIVE SHAFT WASHER B
4	H43-9901	IDLE GEAR A	44	351-6101	SCREW	82	G81-2001	DRIVE GEAR
5	F57-1902	IDLE GEAR SCREW WAHSER	45	F71-4601	CORD SHIELD	83	B36-0212	DRAG WASHER A
6	351-7706	IDLE GEAR A SCREW	46	G14-1302	MOTOR GEAR B	84	372-3833	DRAG WASHER C
7	E03-3201	DRAG WASHER SPRING	47	F71-4801	MOTOR GEAR O-RING	85	B36-0302	DRAG DISC WASHER
8	E48-9622	BRAKE ADJ KNOB	48	F73-9601	MOTOR CASE PLATE	86	F81-7001	DRAG COLLAR SHIELD
9	320-5901	RETAINER	49	F59-5801	MOTOR CASE O-RING	87	F65-7801	O-RING
10	G22-5103	BRAKE WASHER	50	F59-5901	MOTOR CASE RING	88	G82-9001	DRAG COLLAR
11	F67-3802	MECHANICAL BRAKE WASHER	51	F73-9701	MOTOR CASE BUSHING	89	F71-5601	DRAG COLLAR
12	G22-5201	MOTOR GEAR A	52	G22-5701	MOTOR GEAR C	90	F59-7610	FINGER COVER
13	G07-0301	BALL BEARING	53	320-1611	YOKE SPRING RET	91	H99-2801	SIDE PLATE(R) AS
14	G07-0201	MOTOR GEAR A RET	54	G81-2102	LINE GUIDE	92	F46-9006	CLUTCH LEVER
15	353-8207	LINE ROLLER SCREW	55	122-0602	LINE GUIDE PAWL	93	F59-7901	CLUTCH CAM
16	637-2102	BALL BEARING	56	F95-0200	CLICK BUTTON WASHER	94	F59-8201	CLUTCH CAM SPRING
17	637-5601	BEARING METAL	57	E35-4101	PAWL CAP	95	160-8001	LOCK WASHER
18	B41-1700	WASHER	58	G83-4701	WORM SHAFT	96	353-8212	SET PLT GEAR SCREW
19	G78-0603	SPOOL	59	F59-6501	WORM SHIELD	97	E28-6001	LINE HOLDER
20	G22-5601	SPOOL SHAFT	60	F46-7201	WORM SHAFT BUSH	98	353-8705	R/S PLT SCREW A
21	371-6906	CLUTCH TRIP PLT WASHER	61	B41-1706	WORM SHAFT WASHER	99	F59-8301	R/S PLT SCREW B
22	F81-7101	SPOOL BUSHING	62	320-5901	RETAINER	100	F28-5901	POWER LEVER WASHER
23	G12-6402	SPOOL GEAR	63	F59-6601	LEVEL WIND POST	101	F30-3102	POWER LEVER NUT
24	G12-6501	RETAINER	64	B86-4101	RETAINER	102	F42-9701	LEVER
25	375-4102	CLICK BUTTON WASHER	65	E25-2501	DRIVE SHAFT BUSHING	103	342-4004	POWER LEVER NUT B
26	G12-6602	MOTOR GEAR D	66	F71-5303	DRIVE SHAFT	104	F43-0002	CAP
27	F59-4001	BALL BEARING	67	F65-7801	O-RING	105	E25-3501	DRAG SPRING WASHER
28	F59-4101	SPOOL PLT	68	375-5801	DRIVE SHAFT WASHER	106	F47-0002	CLICK LEAF SPRING HOLDER
29	F20-6901	SPOOL PLT SCREW	69	320-7601	RETAINER	107	B74-7702	SPRING
30	636-6403	BALL BEARING	70	F59-6907	MOTOR COVER	108	F47-0101	FRICTION WASHER
31	G22-5701	MOTOR GEAR C	71	F55-6501	FRAME SCREW	109	F55-0415	STAR DRAG
32	320-1611	YOKE SPRING RET	72	F63-9701	FRAME SCREW	110	H63-6501	HANDLE COLLAR
33	F68-2600	SPOOL PLT WASHER	73	F59-7001	YOK PLATE	111	H99-1801	HANDLE
34	F38-9102	BALL BEARING	74	E29-0601	YOKE	112	B86-2102	HANDLE NUT
35	G98-8901	FRAME	75	F74-0201	PINION GEAR	113	F47-1205	HANDLE NUT PLT
36	G48-8801	MOTOR O-RING	76	G12-7001	YOKE SPRING	114	F66-1002	CONNECTOR CAP
37	G81-0402	MOTOR	77	F77-3001	SPRING HOLDER	115	G86-8701	POWER CORD
38	F70-1101	MOTOR SCREW	78	F60-8301	A/R PAWL SPRING			