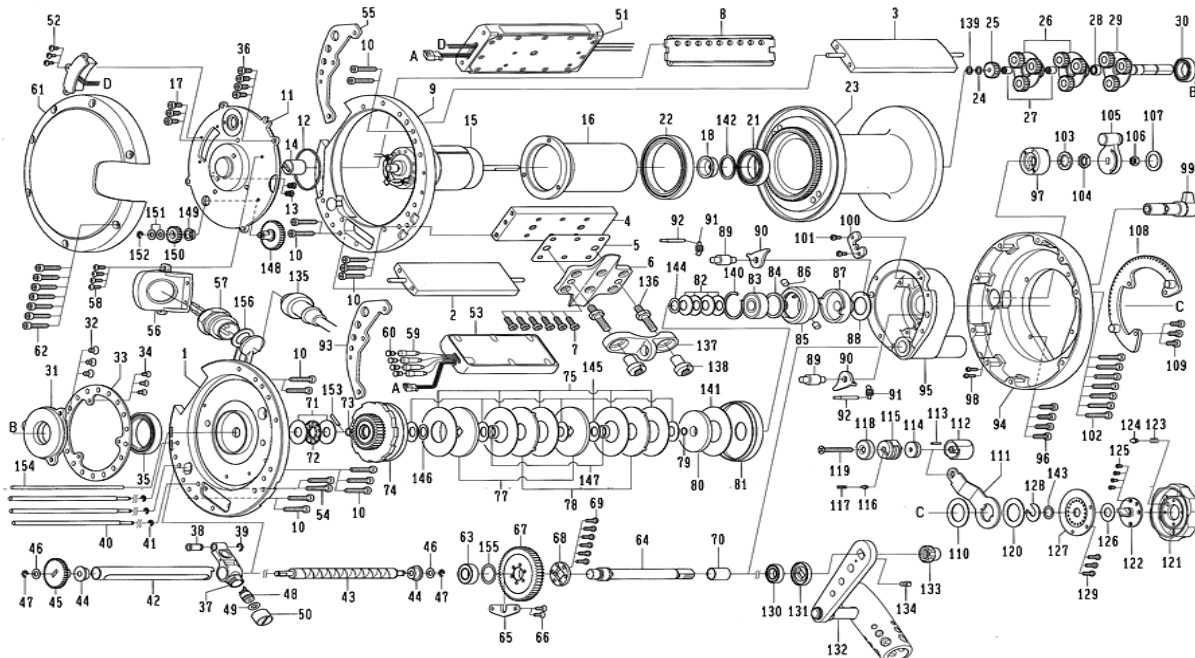




ELECTRONIC REEL

MARINE POWER 3000-24V

Please order by parts number, not key number
Veuillez indiquer le numéro de la pièce (Non "Key" No.)



Key No.	Part No.	Part Name	Key No.	Part No.	Part Name	Key No.	Part No.	Part Name
1	G43-1403	R/S RING	55	G43-8901	IC PROTECTOR PLT	108	G44-3002	DRAG LEVER PLT
2	G43-1504	PALMING PLATE	56	G43-9001	RECEPTACLE HOLDER	109	G43-7401	MOTOR HOLDER SCREW
3	G43-1502	PALMING PLATE	57	J18-3301	RECEPTACLE	110	K30-0801	WASHER
4	G43-1801	STAND PLATE	58	G16-0101	SIDE COVER SCREW	111	G44-3401	DRAG LEVER
5	G44-4401	STAND PLATE	59	F68-2001	POWER CORD COVER A	112	G44-3501	DRAG LEVER METAL
6	G43-1901	STAND	60	F68-2101	POWER CORD COVER B	113	G52-0401	DRAG LEVER METAL PIN
7	G43-2001	STAND SCREW	61	G43-9301	L/S PLATE	114	G44-3601	DRAG LEVER METAL WASHER
8	G43-2102	FINGER GUARD	62	G50-6201	L/S PLT SCREW	115	G44-3701	DRAG LEVER COLLAR
9	G43-2201	L/S RING	63	J04-8701	BALL BEARING	116	F28-8001	PIN
10	G50-6301	RING PLATE SCREW	64	J18-3701	DRIVE SHAFT	117	G29-4201	POWER LEVER SPRING
11	G43-2501	SET PLATE	65	G43-9601	DRIVE SHAFT RET	118	G44-3801	DRAG LEVER CAP
12	F59-5801	MOTOR CASE O'RING	66	351-8903	SCREW	119	G51-5201	DRAG LEVER SCREW
13	G43-7701	MOTOR CORD COVER	67	G43-9701	DRIVE GEAR	120	K30-0801	WASHER
14	G43-3901	MOTOR METAL	68	G43-9801	DRIVE GEAR PLT A	121	G44-4102	PRE-SET DRAG KNOB
15	J18-1801	MOTOR	69	351-6413	A/R CLAW SCREW	122	G44-4201	PRE-SET METAL
16	J18-2201	MOTOR HOLDER	70	G43-9901	DRIVE SHAFT BUSHING	123	H03-6801	SPRING
17	G43-7401	MOTOR HOLDER SCREW	71	G44-5601	DRAG HOLDER WASHER	124	K30-2501	DRAG PIN
18	G43-4901	MOTOR HOLDER SHIELD	72	G44-5701	DRAG HOLDER BEARING	125	E13-4503	SCREW
21	G50-1101	BALL BEARING	73	F65-7801	O'RING	126	G44-4001	PRE-SET METAL WASHER
22	G43-4801	BALL BEARING	74	G44-0002	DRAG HOLDER	127	G44-4301	COVER PLT
23	J18-2301	SPOOL ASSEMBLY	75	G44-0402	DRAG WASHER A	128	K30-2201	DRAG LEVER RET
24	375-3000	WASHER	77	G44-0601	KEY WASHER	129	351-6413	A/R CLAW SCREW
25	G43-5801	SPOOL GEAR A	78	G44-0701	EARED WASHER	130	G43-9402	BALL BEARING
26	G53-7701	SPOOL GEAR B	79	F65-7801	O'RING	131	G44-4501	DRIVE SHAFT CAP
27	G56-1901	SPOOL GEAR BUSHING A	80	G44-0901	DRAG COLLAR	132	G51-6604	HANDLE
28	F81-1801	BEARING	81	G44-0801	DRAG COLLAR SHIELD	133	G44-5101	HANDLE NUT
29	J26-1201	SPOOL GEAR C	82	G44-1001	DRAG SPRING WASHER	134	G21-8201	SCREW
30	G59-7101	BALL BEARING	83	B88-7801	BALL BEARING	135	Z02-2199	ELECTRIC POWER CORD
31	G43-7001	SPOOL PLT	84	G56-2301	ECCENTRIC CAM SCREW	136	G44-5301	CLAMP BOLT
32	G43-7101	SPOOL PLT SCREW	85	G56-2201	SLEEVE	137	K30-9201	ROD CLAMP
33	G43-7201	CLICK PLT	86	G50-0701	ELECTRIC CAM PIN	138	G44-5401	CLAMP NUT
34	E29-3001	MAGNET SET PLT SCREW	87	G44-1101	ECCENTRIC CAM	139	G50-6401	SPOOL GEAR WASHER
35	G43-7301	BALL BEARING	88	K30-0801	WASHER	140	G56-2401	DRAG RING
36	G43-7401	MOTOR HOLDER SCREW	89	G44-1201	A/R PAWL PIN	141	G56-2001	DRAG COLLAR WASHER
37	J18-2701	LEVEL WIND	90	G44-1301	A/R PAWL	142	G58-1700	SPOOL BEARING WASHER
38	G43-7801	LEVEL WIND COLLAR	91	G44-1401	A/R PAWL SPRING	143	371-2800	DRIVE GEAR WASHER
39	F67-3501	RET	92	G44-1501	A/R CLAW SPRING PIN	144	B27-0700	DRIVE GEAR WASHER
40	G43-8001	LEVEL WIND POST	93	G43-8901	IC PROTECTOR PLT	144	B27-0706	DRAG ADJUSTING WASHER
41	G27-0601	RETAINER	94	G44-1602	R/S PLATE	145	G62-5301	DRAG SPRING WASHER
42	G43-8101	WORM SHIELD	95	G44-1701	RIGHT SET PLT	146	B27-0707	DRAG WASHER
43	G43-8201	WORM SHAFT	96	G43-2001	STAND SCREW	147	G62-4102	DRAG WASHER COLLAR
44	G43-8301	WORM SHAFT BUSHING	97	G44-1801	POWER LEVER COLLAR	148	J18-1501	GEAR
45	G43-8401	WORM SHAFT GEAR	98	351-1106	SIDE COVER SCREW	149	G43-3601	COLLAR
46	373-2702	WASHER	99	G44-2001	CLICK LEVER	150	J18-1701	GEAR
47	320-1402	RETAINER	100	G44-2401	CLICK LEVER RET	151	373-2702	WASHER
48	G43-8501	LINE GUIDE PAWL	101	351-6601	SCREW	152	320-1402	RET
49	373-2700	WASHER	102	G50-6201	PLATE SCREW	153	J18-3801	PIN
50	G43-8601	PAWL CAP	103	F28-5901	POWER LEVER WASHER	154	J18-3001	PILLAR
51	J18-3101	IC MODULE	104	G13-9601	POWER LEVER NUT	155	375-9803	WASHER
52	352-2506	SCREW	105	J18-4001	POWER LEVER	156	J18-4201	CAP
53	J18-3201	POWER MODULE	106	342-4004	POWER LEVER NUT B			
54	G50-6301	RING PLT SCREW	107	F43-0002	POWER LEVER COVER			