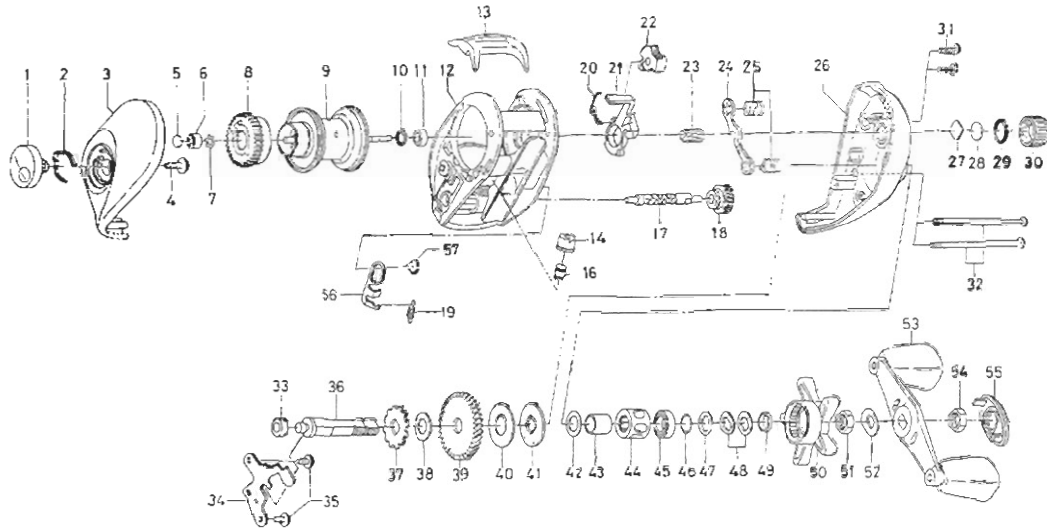


# TRIFORCE-Z150iV / 153iV



Key No.	Parts No.	Parts Name
1	F40-3614	BRAKE ADJ KNOB
2	F03-2401	BRAKE CLICK SPRING
3	F40-3310	L/S PLT
4	B84-2102	BRAKE ADJ KNOB SCREW
5	374-9102	SPACER A
6	F40-3701	BUSHING A
7	F41-2301	BEARING RET
8	E23-9501	MAGNET HOLDER
9	F43-4302	SPOOL
10	F45-0601	BUSHING RET
11	B35-8601	BALL BEARING A
12	F61-6601	FRAME
13	F40-2007	CLUTCH LEVER
14	F40-2801	PAWL CAP
16	F51-6501	LINE GUIDE PAWL
17	F51-0301	WORM SHAFT
18	F06-1301	WORM SHAFT GEAR
19	F63-9901	CLUTCH TRIP PLT SPRING
20	E24-9001	CLUTCH CAM SPRING
21	E23-7401	CLUTCH CAM
22	E24-9102	FLIPPING CAST SELECTOR
23	F40-9202	PINION GEAR
24	E23-7701	YOKE
25	E16-7101	YOKE SPRING
26	F40-7818	R/S PLT
27	B17-5401	SPOOL ADJ CAP METAL
28	B17-5503	SPACER B
29	171-5201	O RING
30	F40-3002	CAST CONTROL CAP
31	E30-0402	SET PLT SCREW
32	E28-4901	R/S PLT SCREW

Key No.	Parts No.	Parts Name
33	B55-0301	BUSHING B
34	F43-9701	DRIVE SHAFT RET
35	F21-2201	DRIVE SHAFT RET SCREW
36	F41-1201	DRIVE SHAFT
37	E32-7701	A/R RATCHET
38	375-7103	DRIVE SHAFT WASHER
39	F40-2501	DRIVE GEAR
40	F60-2401	DRAG WASHER
41	B36-0303	KEY WASHER
42	E42-5401	SPACING SLEEVE A
43	F40-7901	GEAR SHAFT COLLAR
44	F40-8001	ROLLER CLUTCH
45	F05-5501	BALL BEARING B
46	B55-3801	BEARING WASHER A
47	373-7810	BEARING WASHER B
48	150-8901	DRAG SPRING WASHER
49	B97-4901	SPACING SLEEVE B
50	F40-3202	STAR DRAG
51	B43-3601	DRAG NUT
52	150-9001	FRICITION WASHER
53	F61-7601	HANDLE
54	B43-3601	HANDLE NUT
55	F40-8401	HANDLE NUT RET
56	F42-8801	CLUTCH TRIP PLT
57	F44-0201	CLUTCH TRIP PLT RET

## TF-Z153iV

Key No.	Parts No.	Parts Name
9	F62-0501	SPOOL
12	F61-6701	FRAME