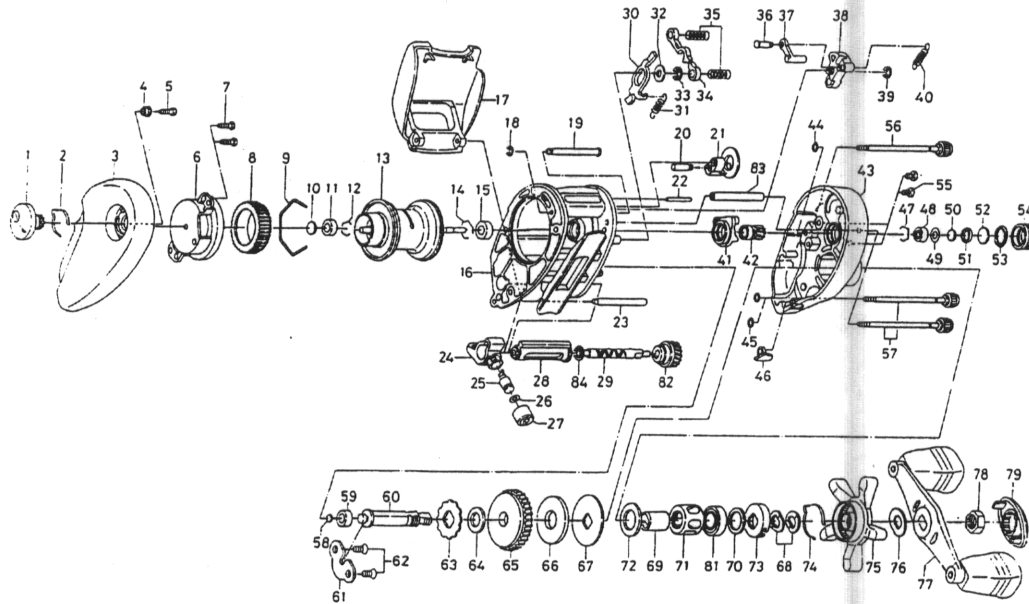


BAITCASTING REEL TEAMDAIWA-S103Pi/S100Pi



Key No.

Key No.	Parts No.	Parts Name
1	F02-9609	Brake adjusting knob
2	F05-1701	Brake click spring
3	F02-9211	Left side plate
4	F02-9801	Brake adjusting knob collar
5	E15-7502	Brake adjusting knob screw
6	F44-1302	Left set plate
7	E15-7502	Left set plate screw
8	F44-1901	Magnet holder
9	B54-3201	Magnet holder ret. ring
10	374-9102	Spacer A
11	E08-8001	Ball bearing A
12	E21-9701	Bearing retainer A
13	F44-2001	Spool assembly
14	B42-1601	Bearing retainer B
15	B35-8601	Ball bearing B
16	F43-3604	Frame assembly
17	E39-3416	Parning plate
18	B86-4101	Stabilizer bar screw
19	E39-2001	Stabilizer bar A
20	E39-1901	Flipping/casting selector pin
21	F02-6702	Flipping/casting selector
22	E19-6801	Stabilizer bar B
23	F02-9001	Stabilizer bar C
24	E39-3301	Line guide
25	121-4212	Line guide pawl
26	375-4101	Line guide washer
27	F40-2801	Pawl cap
28	F03-6001	Level wind guard
29	E24-7101	Worm shaft
30	F02-7101	Clutch trip plate
31	E43-0001	Clutch trip plate spring
32	371-6903	Clutch trip plate washer
33	320-1402	Clutch trip plate retainer
34	E30-4301	Yoke
35	E23-6401	Yoke spring
36	E19-7201	Clutch trip plate arm pin
37	E19-7101	Clutch trip plate arm
38	F02-6601	Clutch cam
39	B33-9801	Clutch cam retainer
40	F05-3101	Clutch cam spring
41	E44-3801	Yoke plate
42	F26-4201	Pinion ear
43	F09-6614	Right side plate
44	B85-3101	"O" ring A
45	B85-3101	"O" ring B
46	E16-9504	Line holder
47	E21-9701	Bearing retainer C
48	E08-8001	Ball bearing C
49	E25-6101	Oiled washer A
50	374-9102	Spool adjusting cap metal

Key No.

Key No.	Parts No.	Parts Name
51	E23-0501	Spacer B
52	B17-5503	Spacer C
53	171-5201	"O" ring C
54	B85-3406	Cast control cap
55	353-4401	Set plate screw
56	B91-1729	Right side plate screw A
57	B91-1728	Right side plate screw B
58	B12-0201	Drive shaft washer
59	B35-8601	Ball bearing D
60	F44-1101	Drive shaft
61	E19-9401	Drive shaft retainer
62	B39-5503	Drive shaft retainer screw
63	E32-7701	Anti-reverse ratchet
64	E42-5301	Drive shaft washer B
65	F26-4401	Drive gear
66	F02-7801	Drag washer
67	F06-2501	Key washer
68	150-8901	Drag spring washer
69	F05-3301	Gear shaft collar
70	B55-3801	Oiled washer B
71	F29-9401	Roller clutch
72	E42-5401	Spacing sleeve
73	F02-8201	Click leaf spring holder
74	F03-2401	Click leaf spring
75	F02-8305	Star drag
76	150-9001	Friction washer
77	F44-1202	Handle assembly
78	B43-3601	Handle nut
79	F40-8401	Handle nut plate
81	F05-5501	Ball bearing E
82	F06-1301	Worm shaft gear
83	E42-5901	Stabilizer bar D

TD-S100Pi SPECIAL PARTS

Key No.	Parts No.	Parts Name
1	F02-9608	Brake adjusting knob
6	F44-1301	Left set plate
8	F44-1801	Magnet holder
13	F44-2801	Spool assembly
16	F43-3603	Frame assembly
17	E39-3415	Parning plate
54	B85-3405	Cast control cap
77	F44-1201	Handle assembly