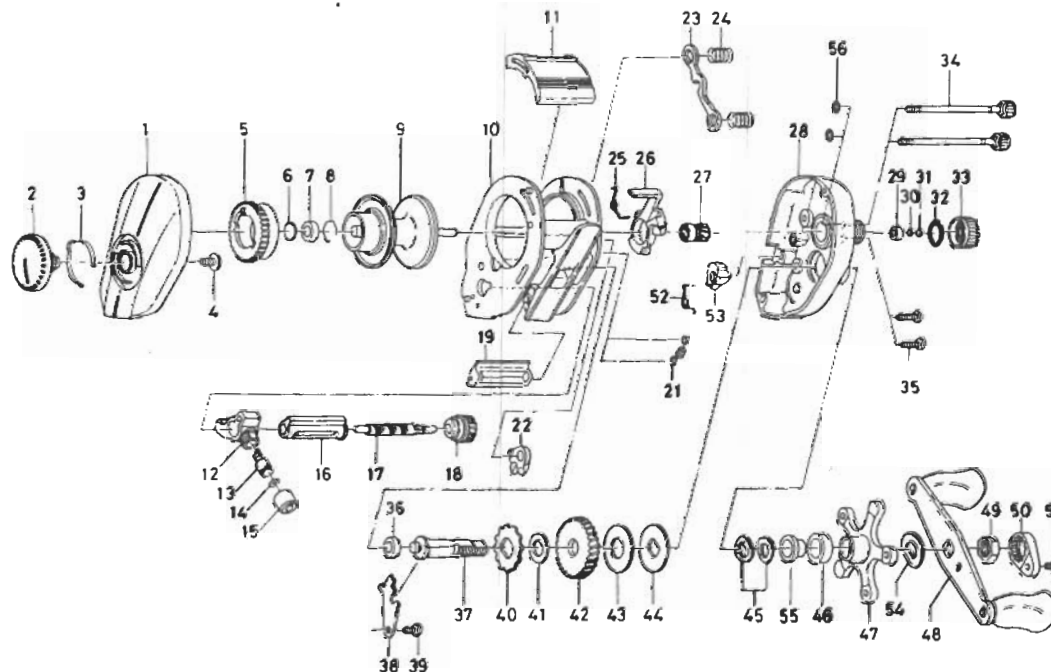


BAITCASTING REEL MA10G/15G



Key No.	Parts No.	Parts Name	Key No.	Parts No.	Parts Name
1	E23-8901	Left side plate	33	E23-8401	Cast control cap
2	E23-9701	Brake adjusting knob	34	B91-1706	Right side plate screw
3	B74-7702	Brake click spring	35	E13-0501	Set plate screw
4	B84-2102	Brake adjusting knob screw	36	B55-0301	Bushing C
5	E23-9501	Magnet holder	37	E23-7501	Drive shaft
6	375-7400	Spacer A	38	E23-7601	Drive shaft retainer
7	B55-0301	Bushing A	39	B83-4402	Drive shaft retainer screw
8	B42-1601	Bearing retainer A	40	E32-7701	Anti-reverse ratchet
9	E23-9901	Spool assembly	41	375-7103	Drive shaft washer
10	E37-0401	Frame assembly	42	B36-0102	Drive gear
11	E23-7101	Clutch lever	43	B36-0202	Drag washer
12	E16-6301	Line guide	44	B36-0301	Key washer
13	121-4212	Line guide pawl	45	150-8901	Drag spring washer
14	375-4100	Line guide washer	46	E32-6401	Spacing sleeve A
15	342-4801	Pawl cap	47	E23-8701	Star drag
16	E23-8201	Level wind guard	48	E30-5201	Handle assembly
17	E24-7101	Worm shaft	49	B43-3601	Handle nut
18	B99-2001	Worm shaft gear	50	B43-3902	Handle nut plate
19	E23-7002	Line guard	51	351-1801	Handle nut plate screw
21	E30-6001	Clutch trip plate spring	54	150-9001	Friction washer
22	E23-8001	Anti-reverse pawl	55	E34-6801	Spacing sleeve B
23	E23-7701	Yoke	56	B85-3101	"O" ring B
24	E16-7101	Yoke spring			
25	E34-6601	Clutch cam spring	MA15G Special Parts		
26	E23-7401	Clutch cam	1	E23-8904	Left side plate
27	E23-7801	Pinion gear	9	E28-5303	Spool assembly
28	E23-8301	Right side plate	10	E37-0801	Frame assembly
29	E34-2401	Bushing B	11	E28-3701	Clutch lever
30	E16-9201	Spool adjusting cap metal	16	E31-2001	Level wind guard
31	E17-0501	Spacer B	17	E28-4601	Worm shaft
32	171-5201	"O" ring A	19	E28-3502	Line guard
			28	E23-8304	Right side plate
			34	B91-1708	Right side plate screw
			52	E31-1801	Anti-reverse lever spring
			53	E30-9501	Anti-reverse lever